

GEEK

G1 PRO

INSTALLATION GUIDE



Table of Contents / 目錄

01 Water Cooling Mode Build / 水冷模式組裝

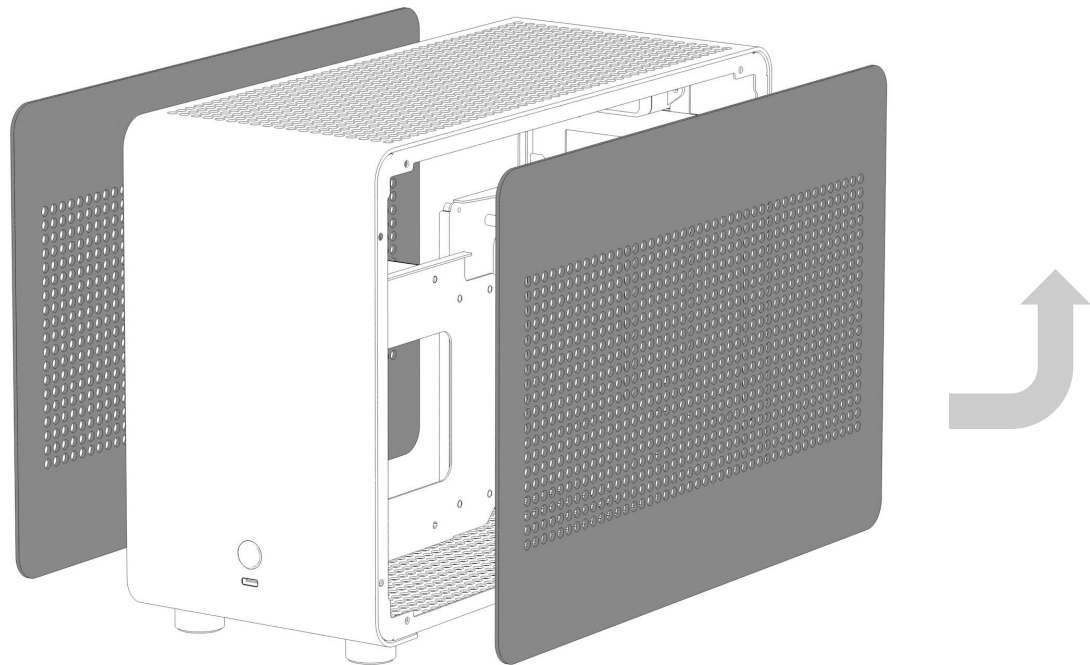
10 Air Cooling Mode Build / 空冷模式組裝

19 Change to Air Cooling Mode / 調整至空冷模式

01

Water Cooling Mode

Remove the side panel / 移除側板

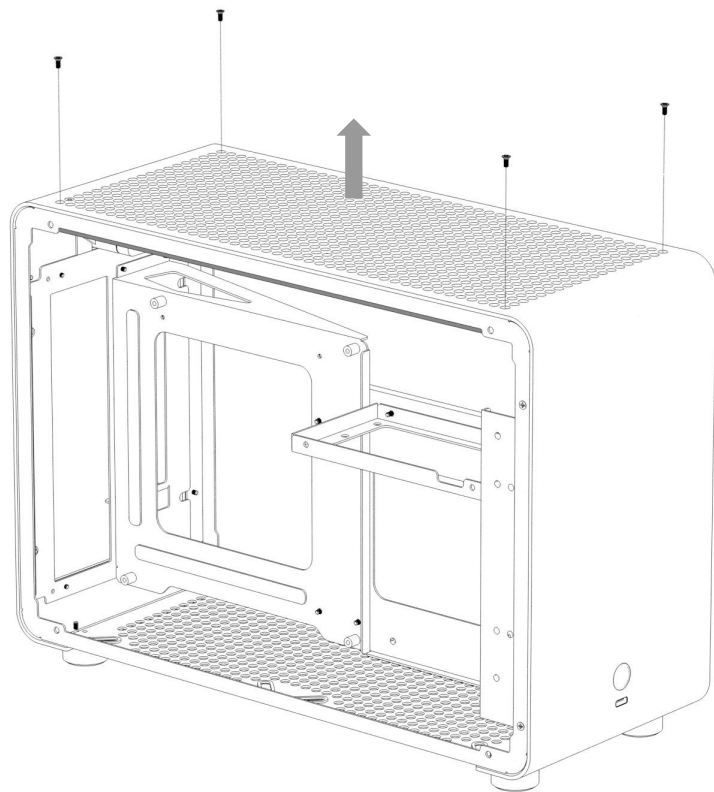


02

Water Cooling Mode

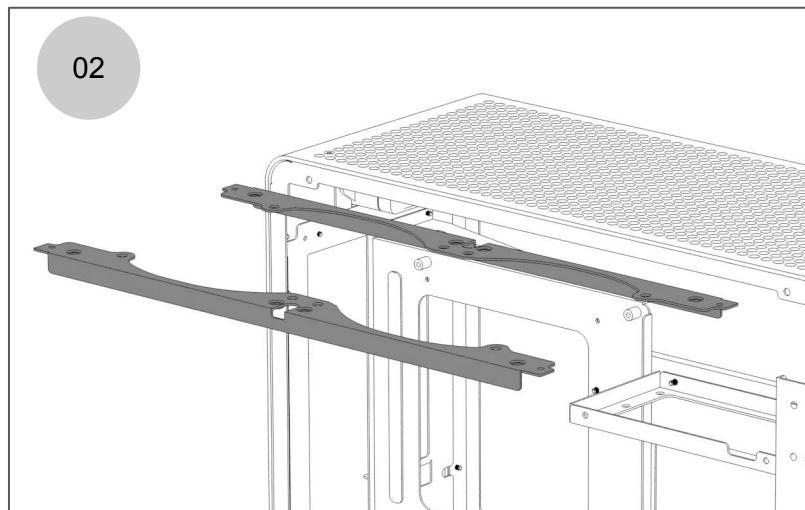
Remove the fan bracket / 移除風扇支架

01



G1 PRO INSTALLATION GUIDE

02



03

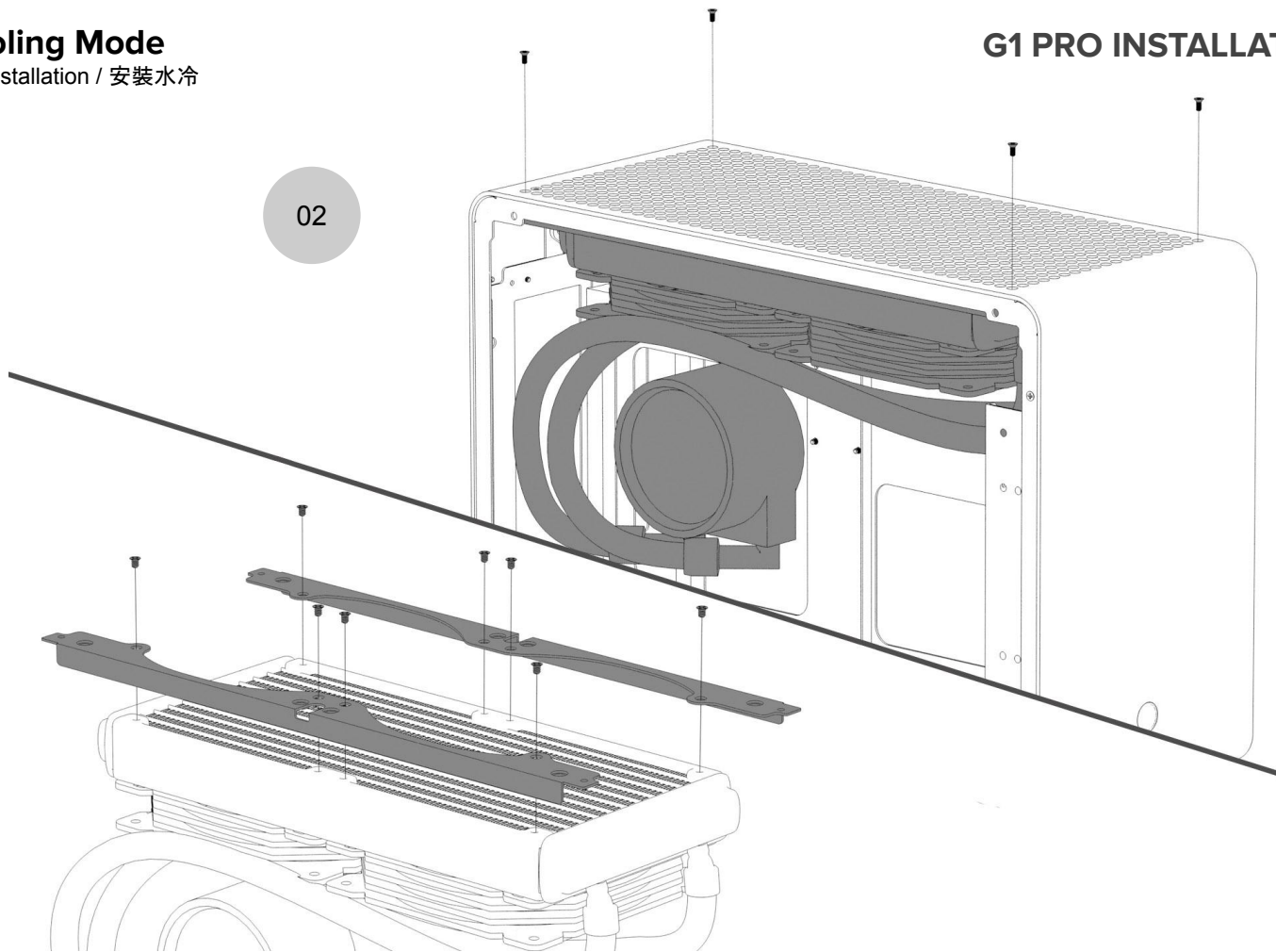
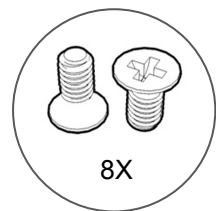
Water Cooling Mode

Water cooling installation / 安裝水冷

G1 PRO INSTALLATION GUIDE

02

01

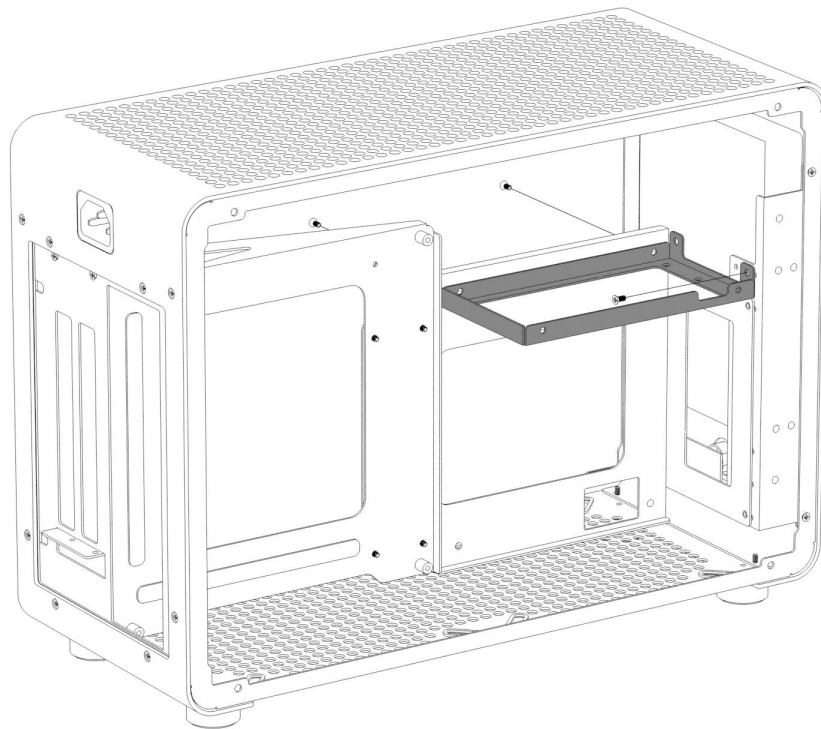


04

Water Cooling Mode

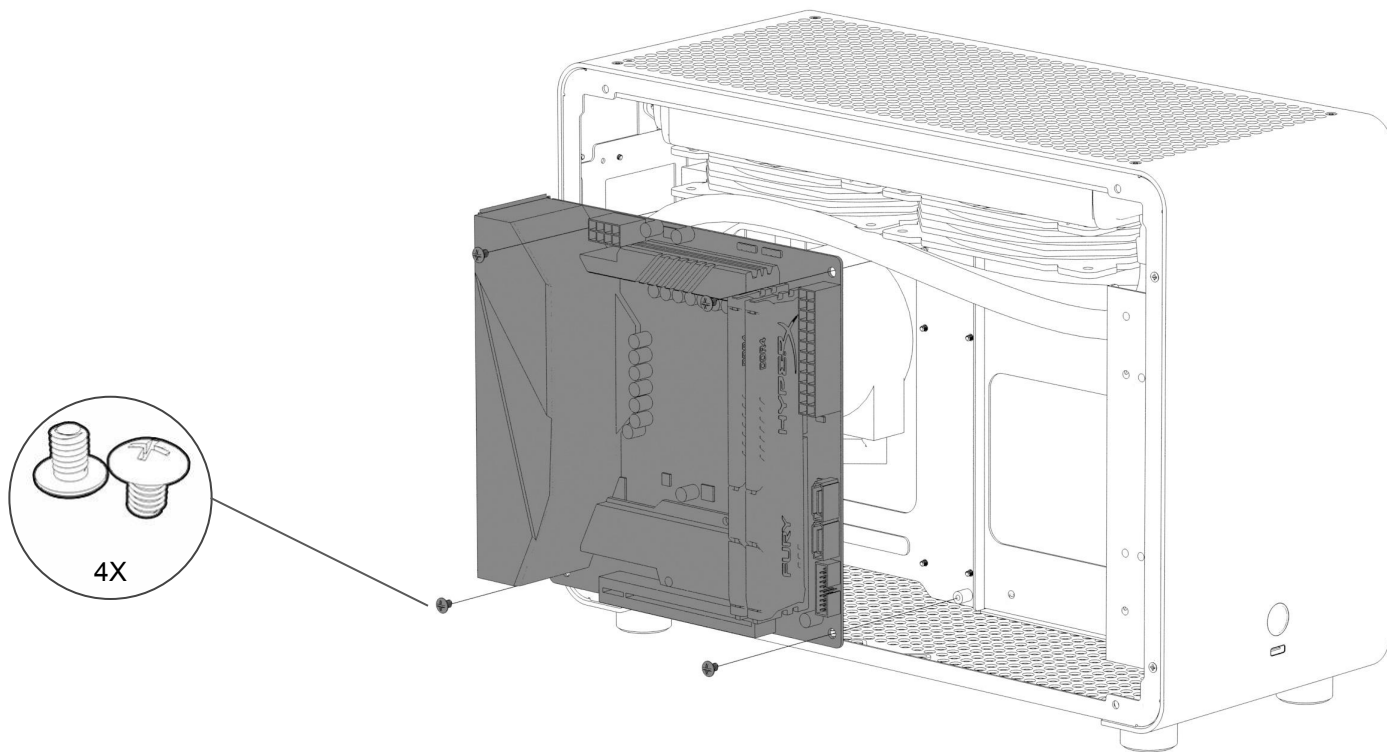
Remove the PSU bracket / 移除電源支架

G1 PRO INSTALLATION GUIDE



Water Cooling Mode

Water block and motherboard installation / 安裝水冷頭及主機板



06

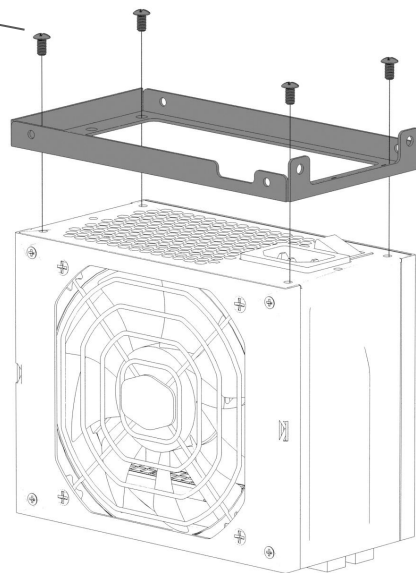
Water Cooling Mode

PSU installation / 安裝電源供應器

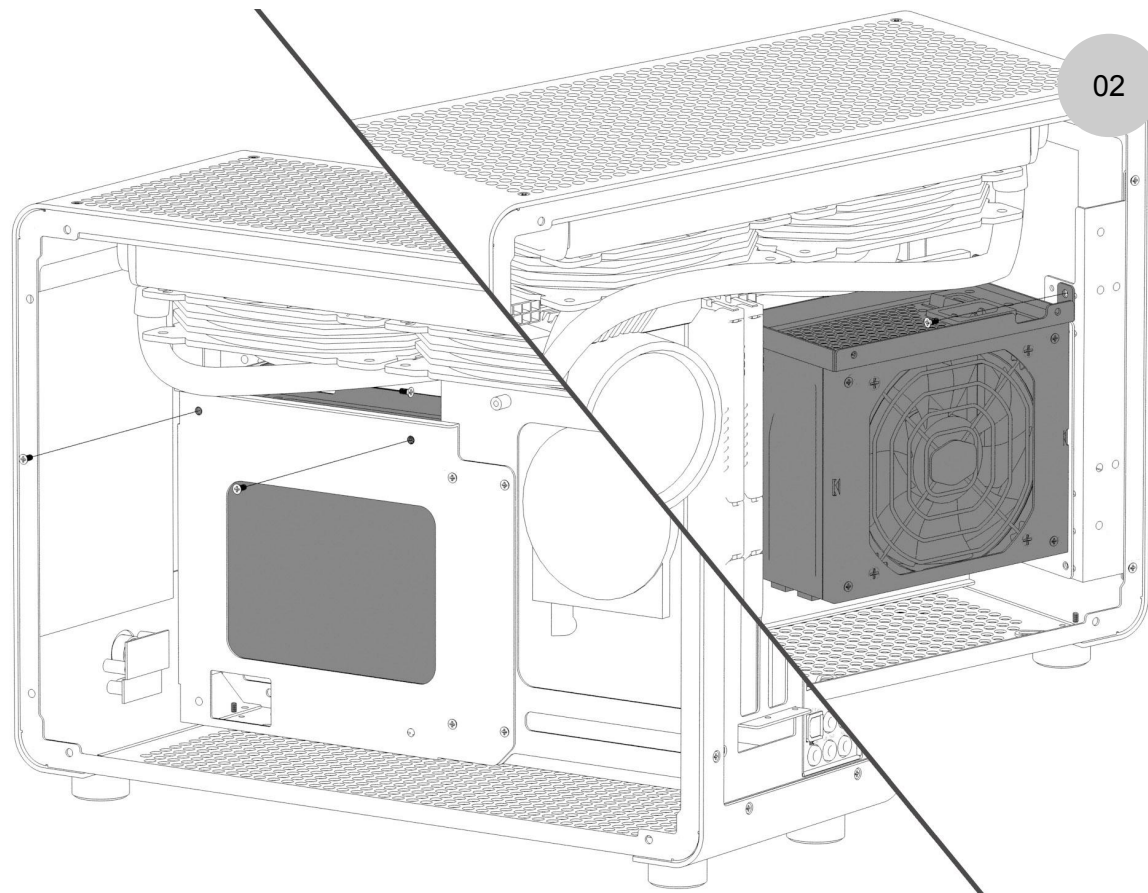
G1 PRO INSTALLATION GUIDE



4X



01



02

07

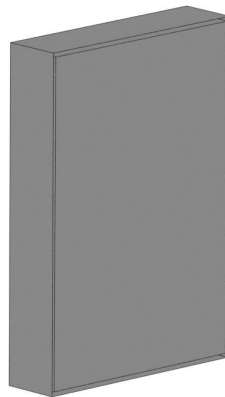
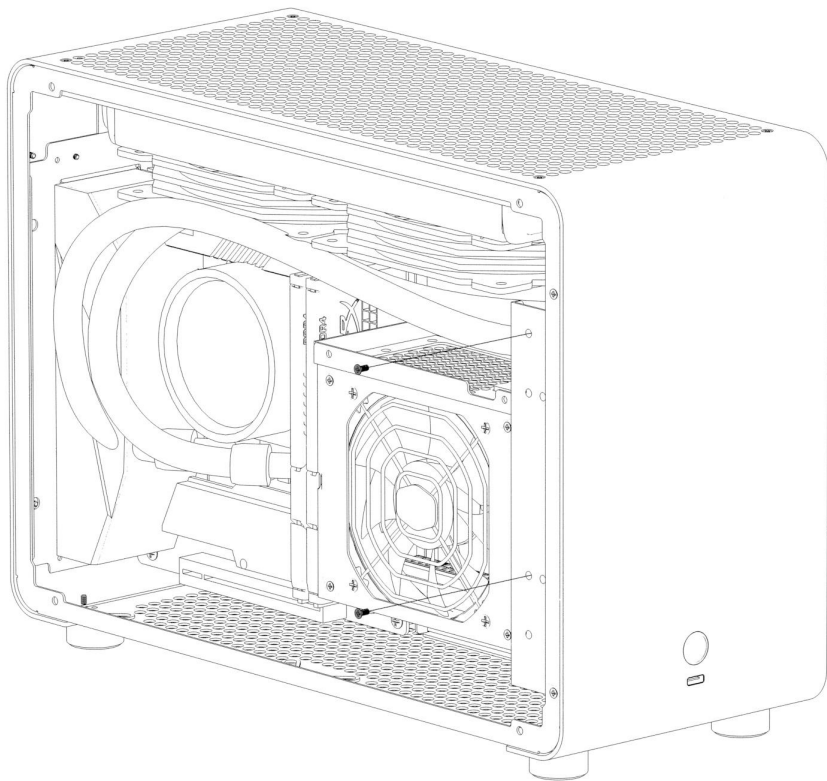
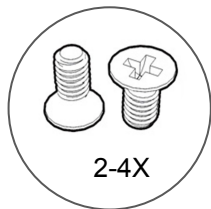
Water Cooling Mode

2.5" SSD or 3.5" HDD installation / 安裝硬碟

G1 PRO INSTALLATION GUIDE



You will need to use the M3 screw for the 2.5" SSD and #6-32 screws for the 3.5" HDD / 2.5" SSD使用M3螺絲, 3.5" HDD使用#6-32螺絲

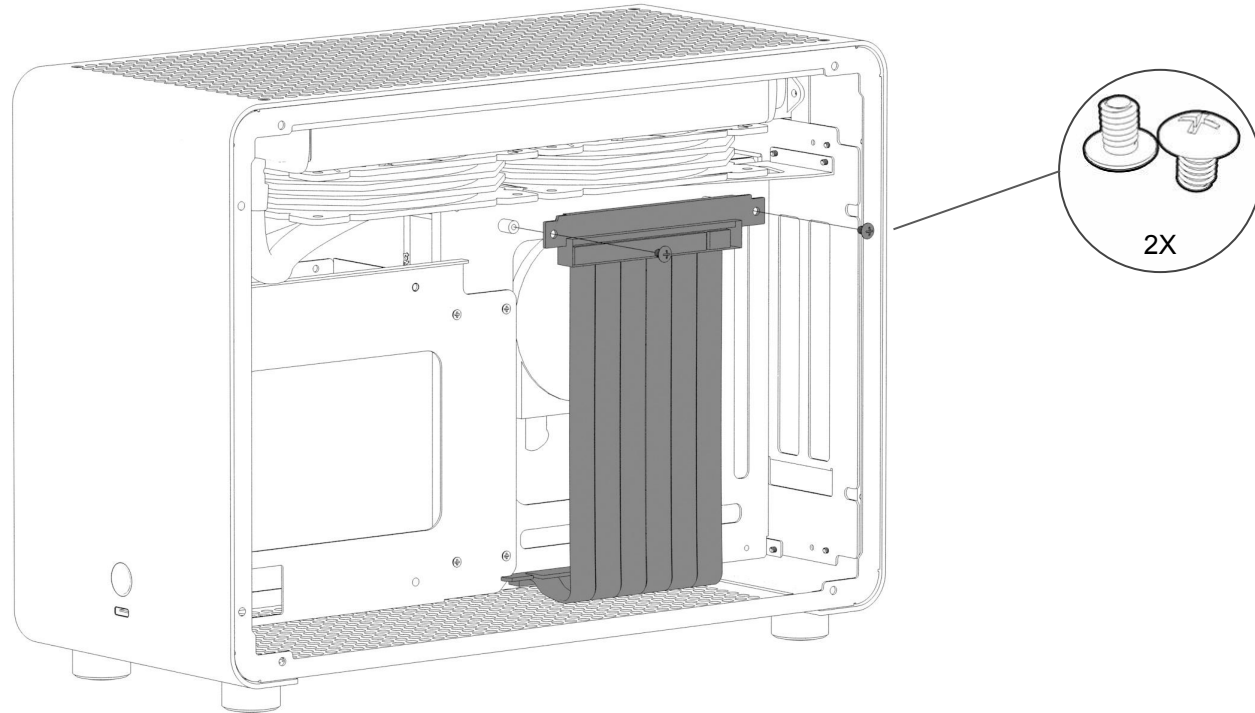


08

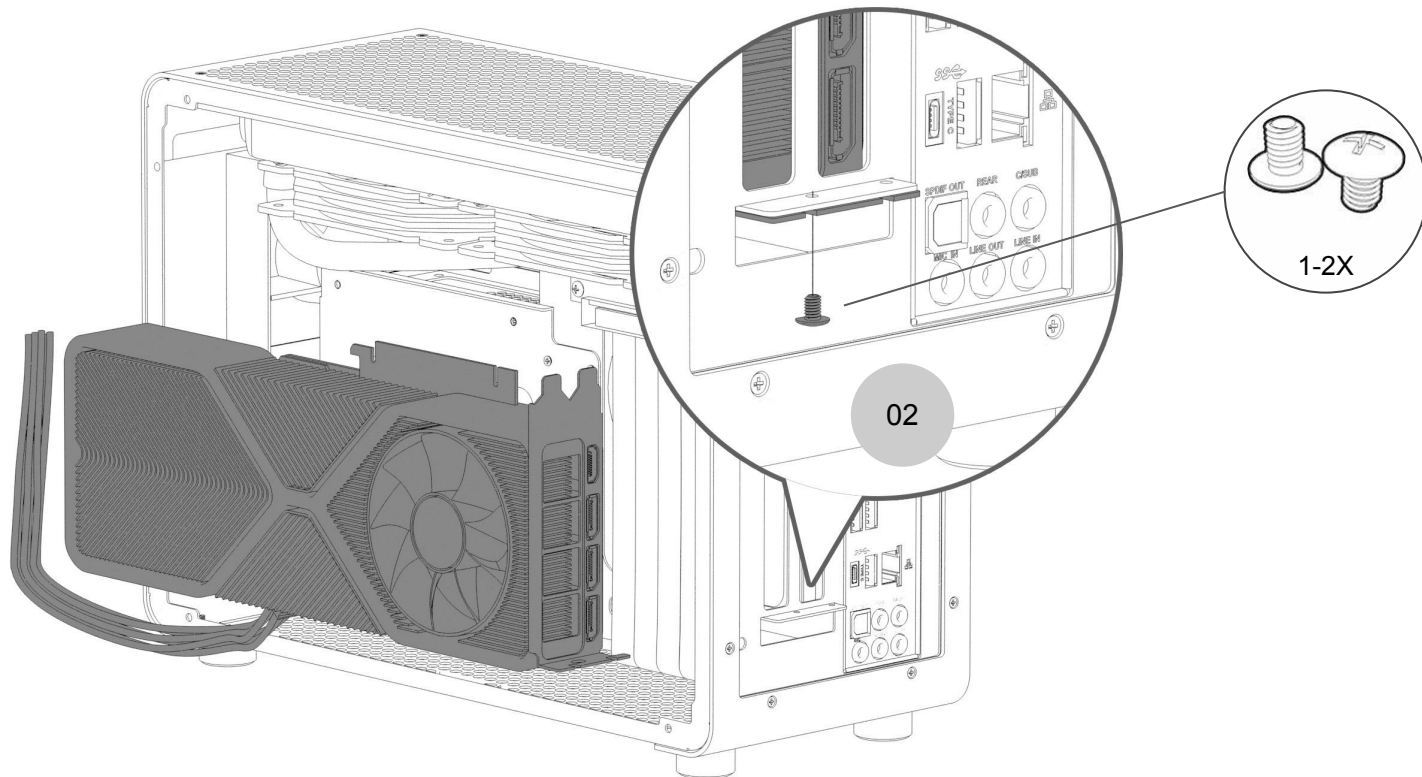
Water Cooling Mode

PCI-e riser installation / 安裝PCI-E顯示卡延長線

G1 PRO INSTALLATION GUIDE



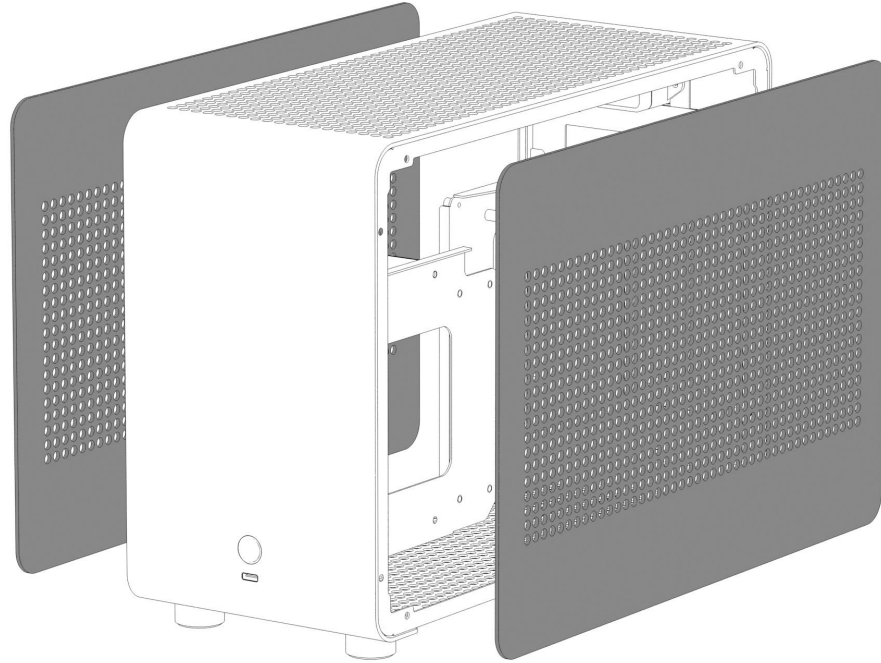
01



10

Air Cooling Mode

Remove the side panel / 移除側板



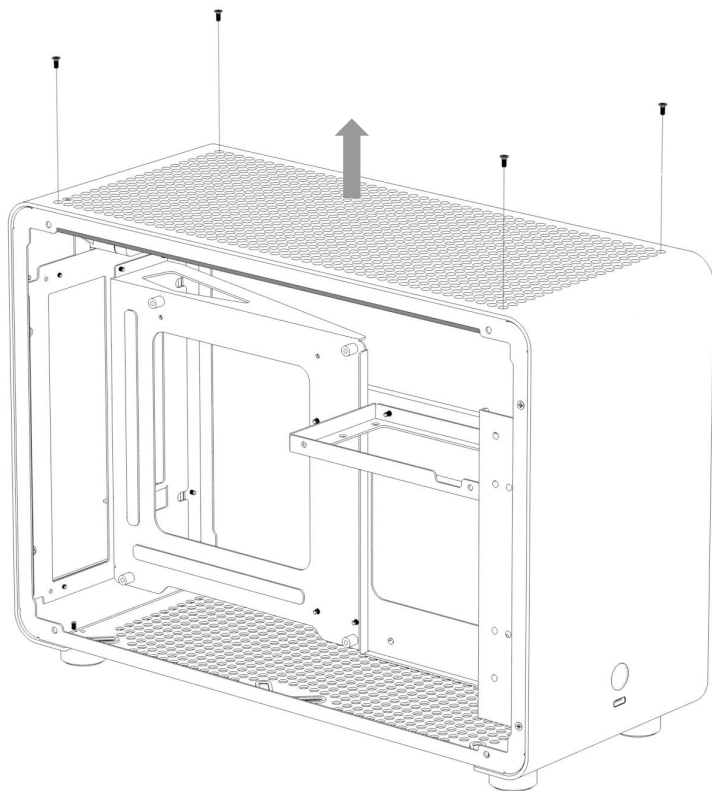
11

Air Cooling Mode

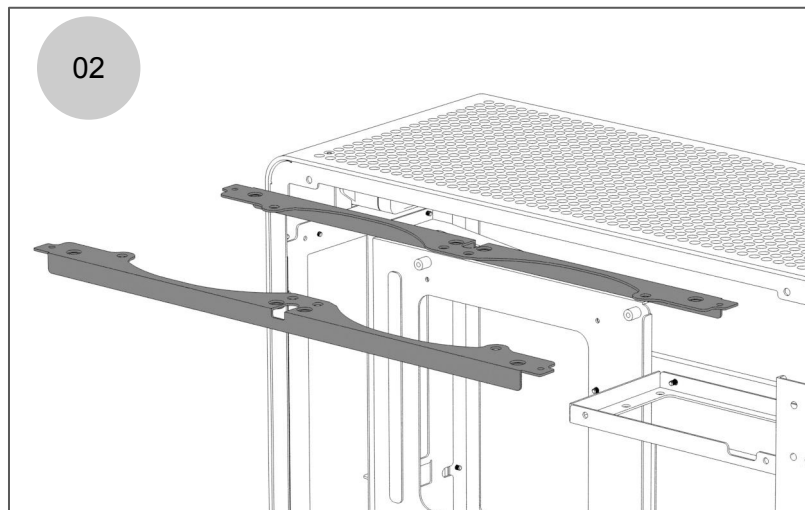
Remove the fan bracket / 移除風扇支架

G1 PRO INSTALLATION GUIDE

01



02

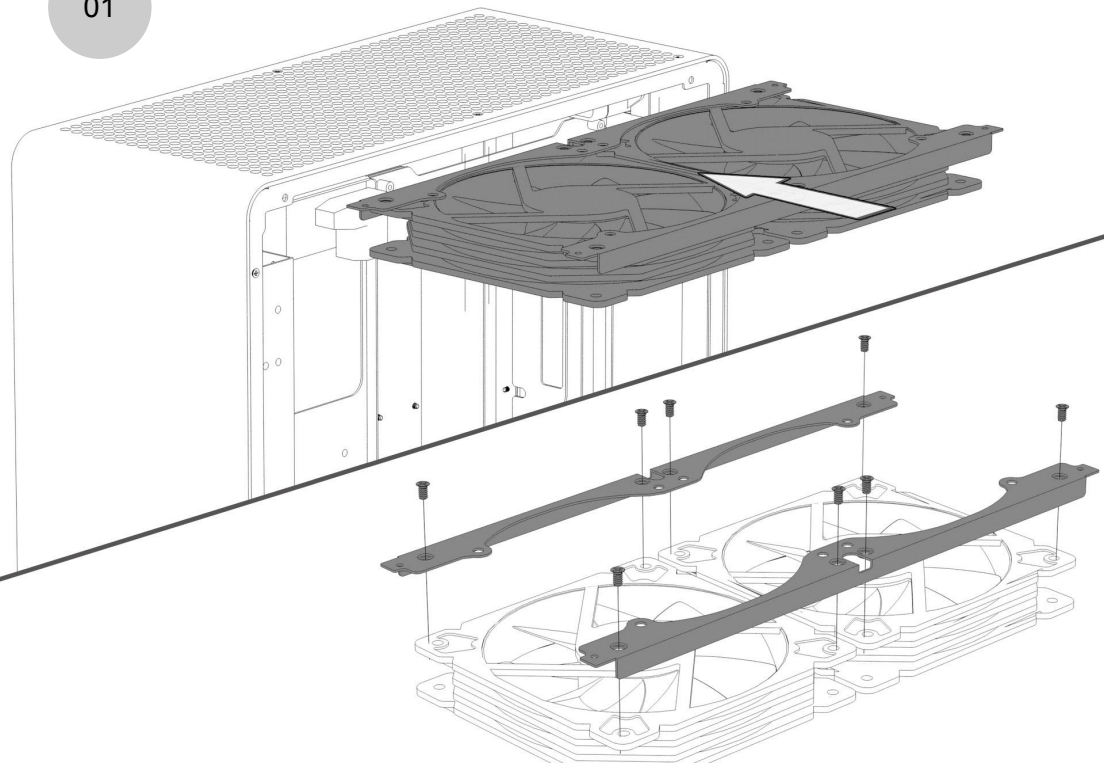


12

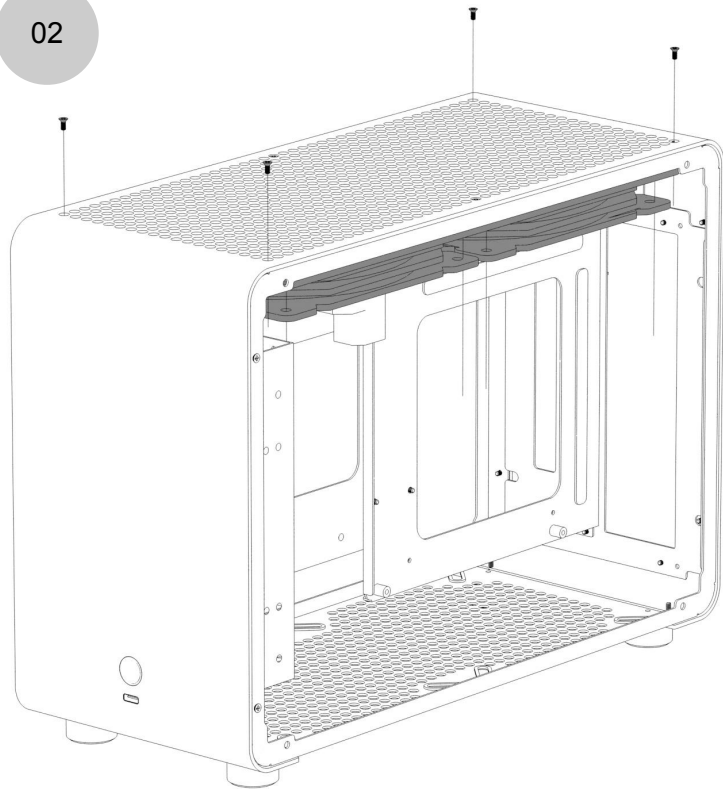
Air Cooling Mode

Top fan installation / 安裝上方風扇

01



02



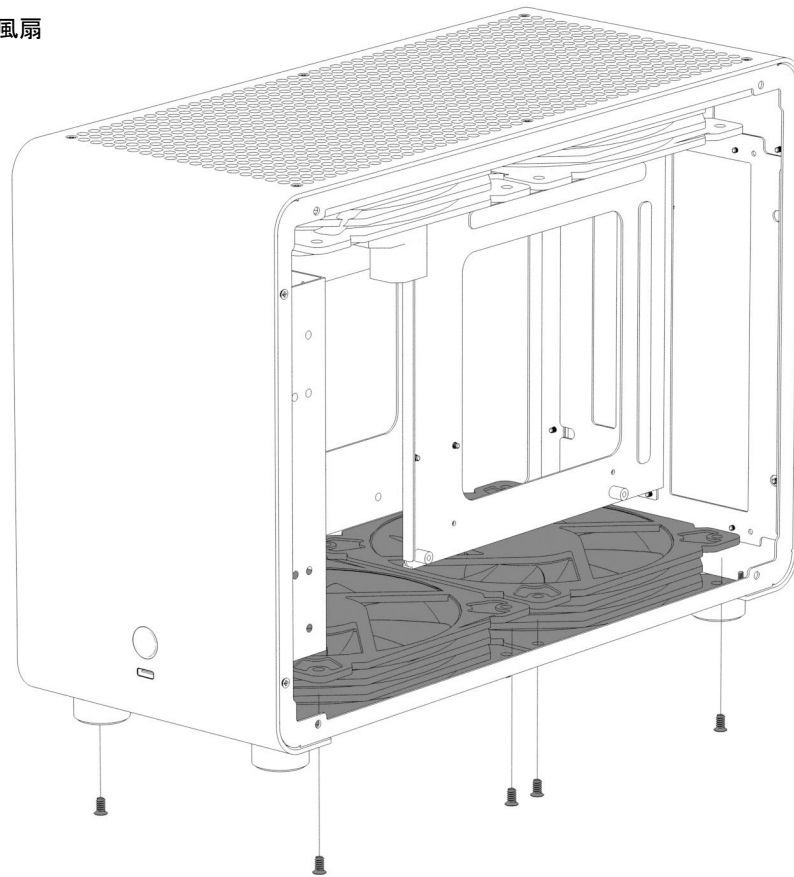
G1 PRO INSTALLATION GUIDE

13

Air Cooling Mode

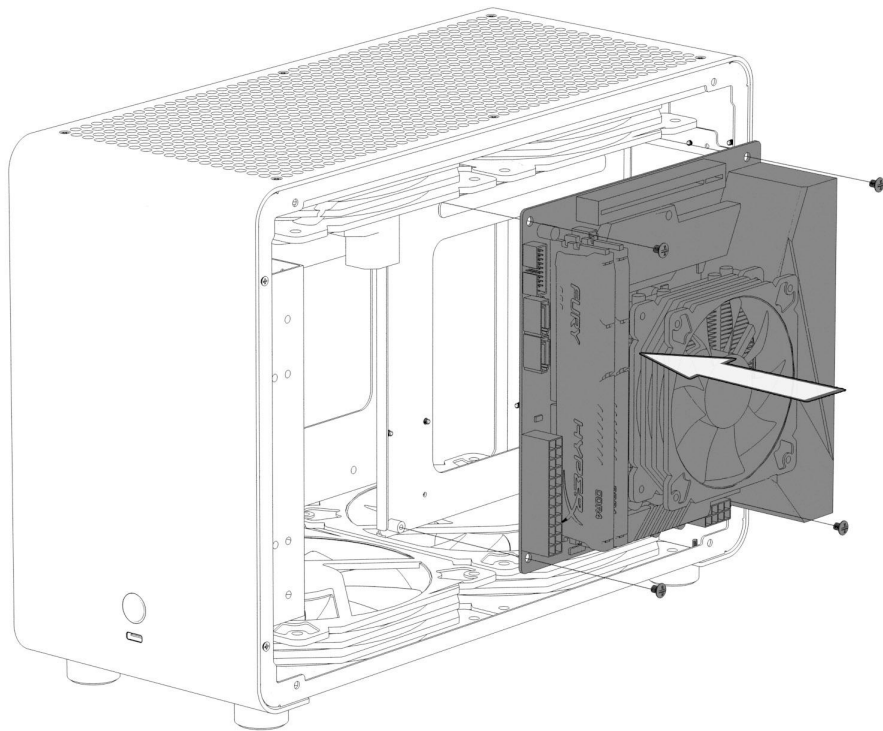
Bottom fan installation / 安裝底部風扇

G1 PRO INSTALLATION GUIDE



Air Cooling Mode

Motherboard installation / 安裝主機板

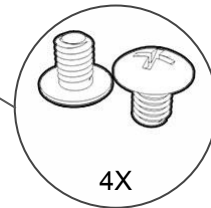


G1 PRO INSTALLATION GUIDE



Highly recommend to install the CPU cooler and ram, power switch connector before installing the motherboard.

請先安裝CPU散熱器及記憶體、電源開關連接線到主機板。



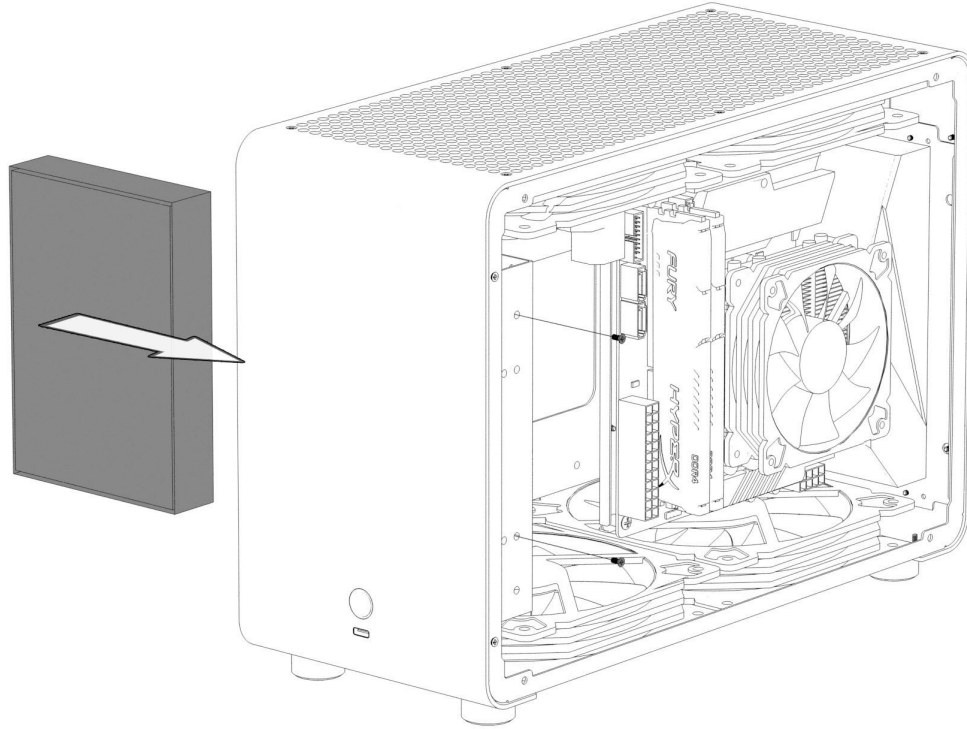
4X

Air Cooling Mode

2.5" SSD or 3.5" HDD installation / 安裝硬碟

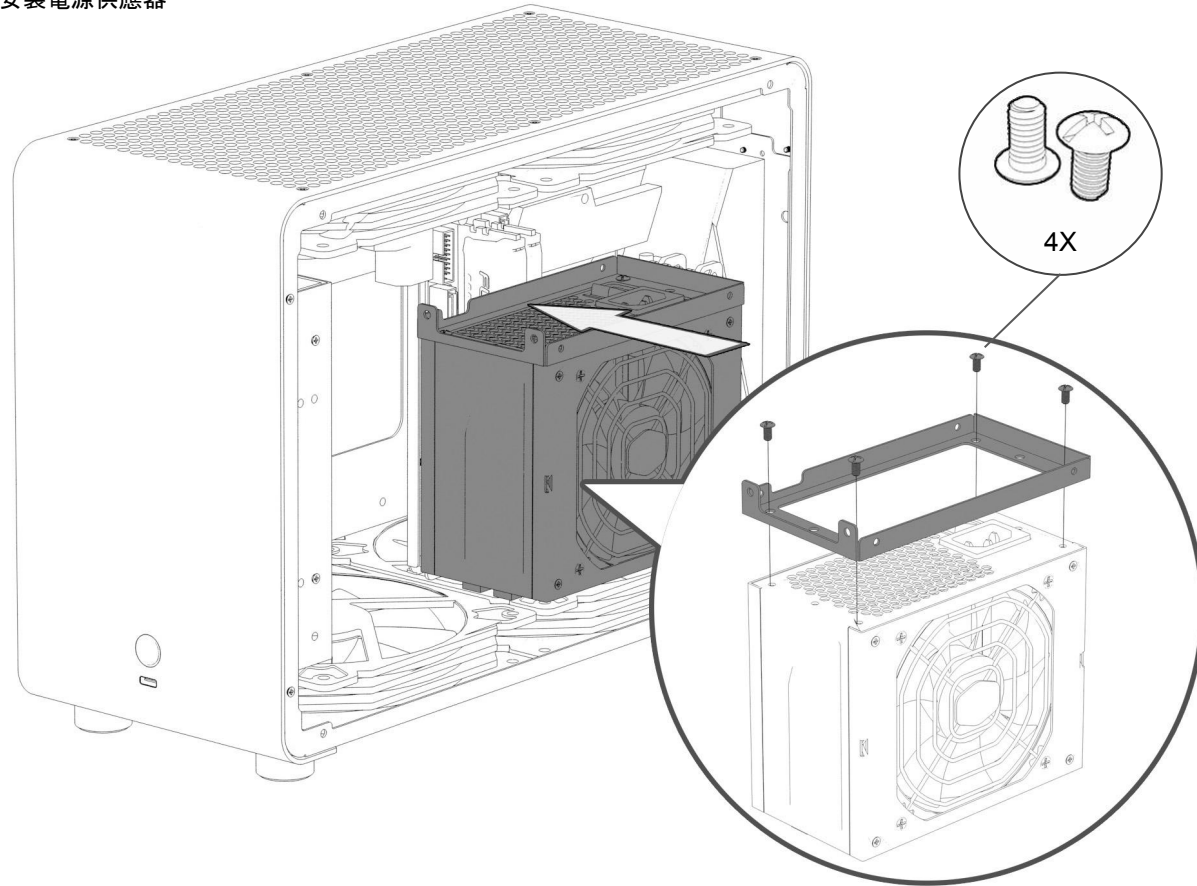


You will need to use the M3 screw for the 2.5" SSD and #6-32 screws for the 3.5" HDD / 2.5" SSD使用M3螺絲, 3.5" HDD使用#6-32螺絲



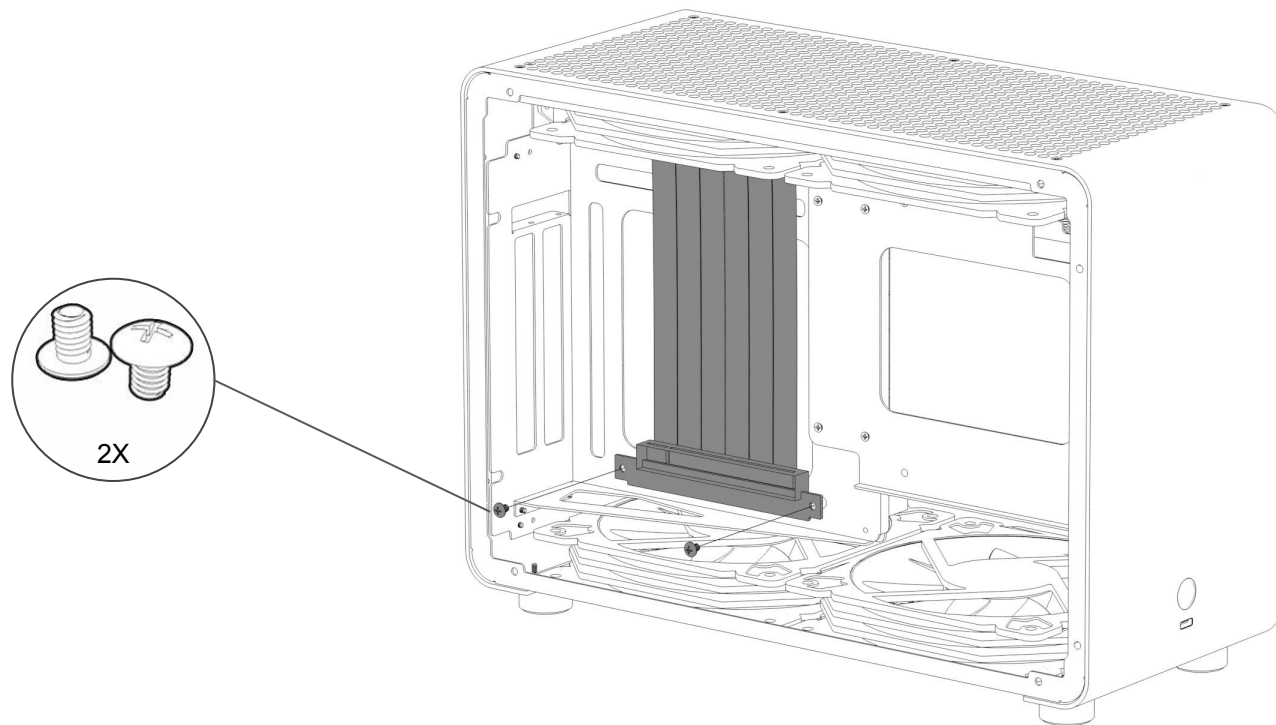
Air Cooling Mode

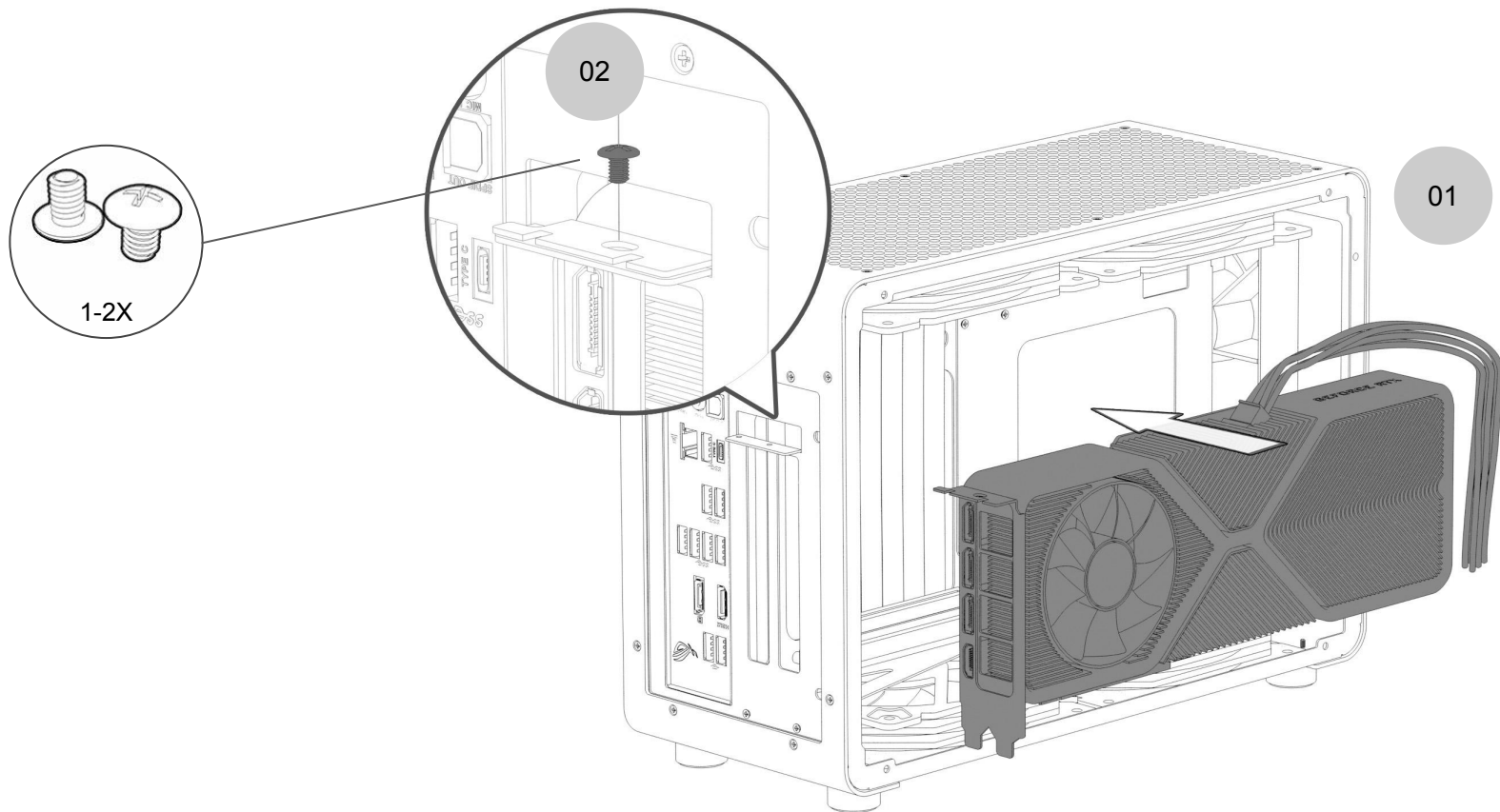
PSU installation / 安裝電源供應器



Air Cooling Mode

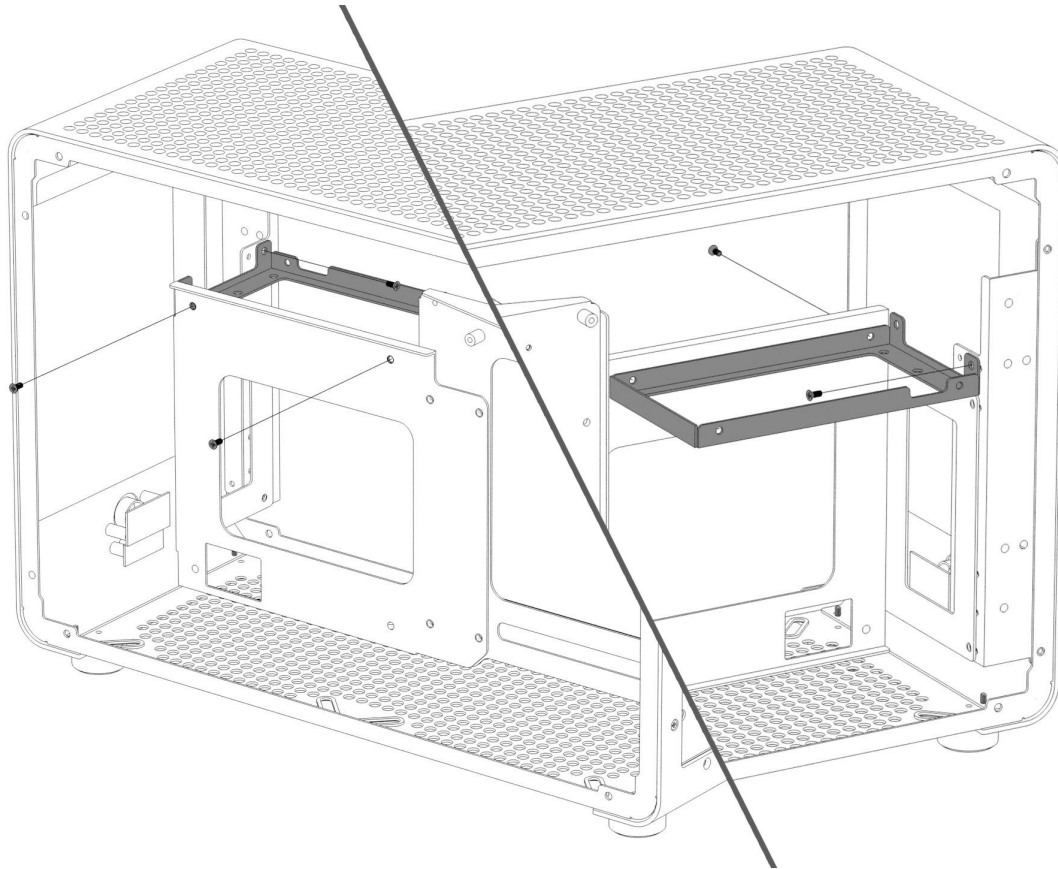
PCI-e riser installation / 安裝PCI-E顯示卡延長線





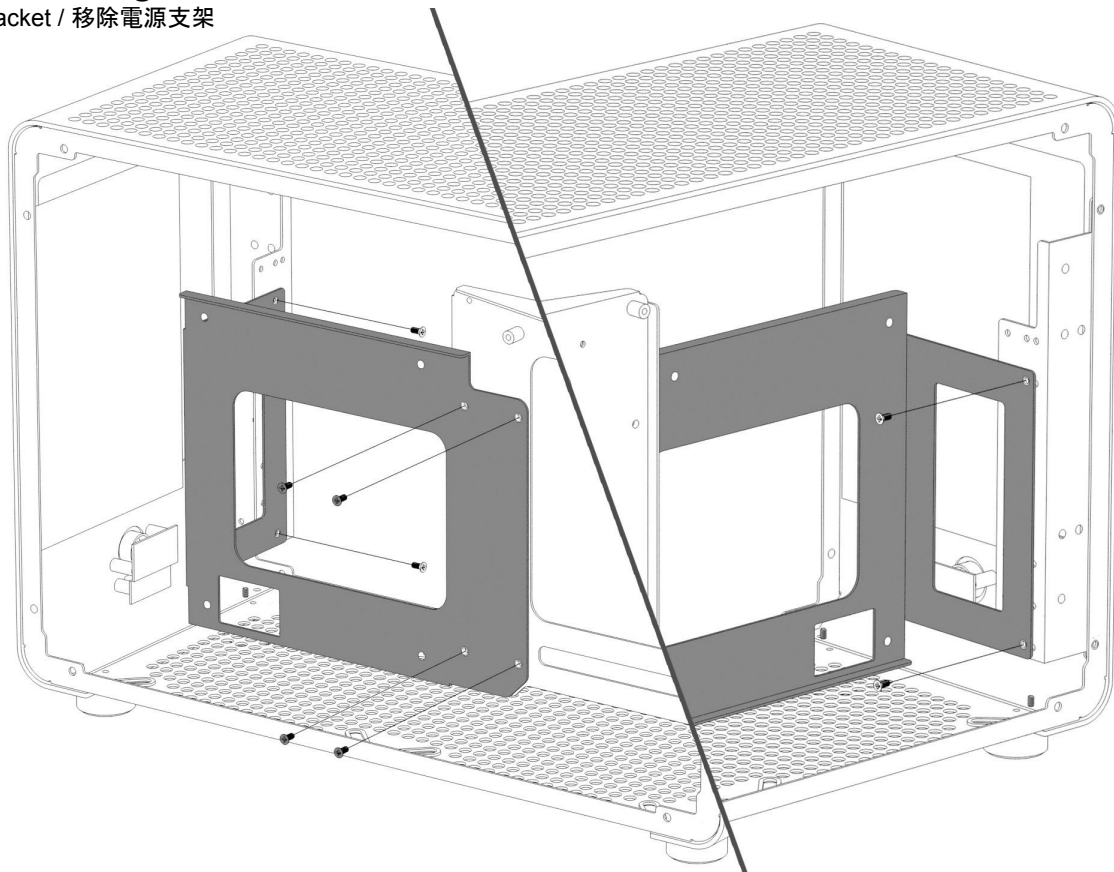
Change to Air Cooling Mode

Remove the PSU bracket / 移除電源支架



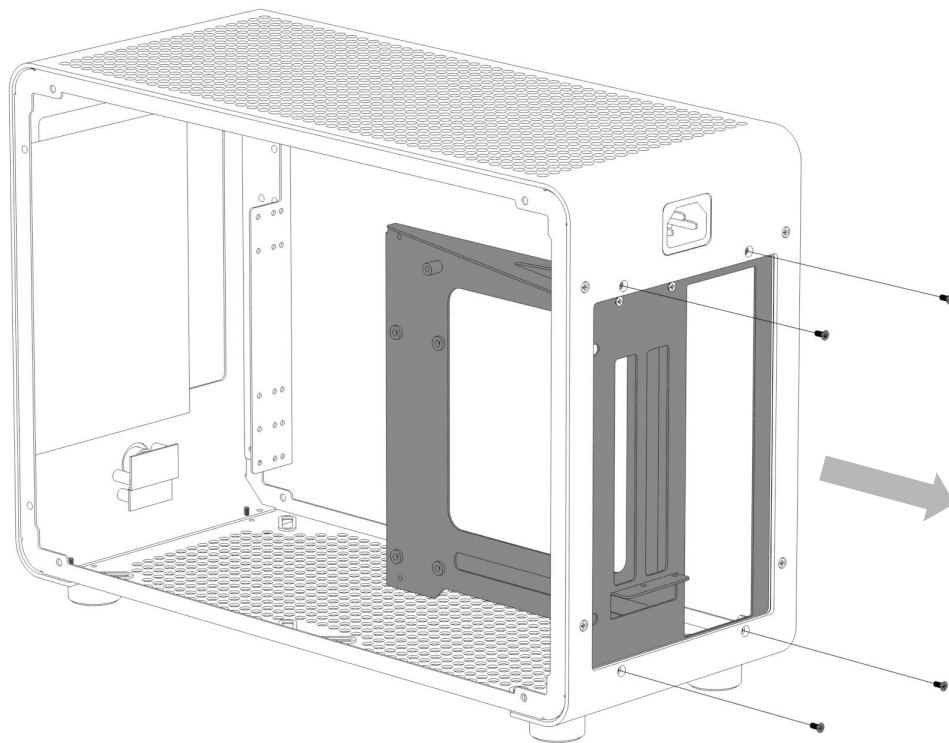
Change to Air Cooling Mode

Remove the PSU bracket / 移除電源支架



Change to Air Cooling Mode

Remove the motherboard bracket and rear panel / 移除主板支架及後背版

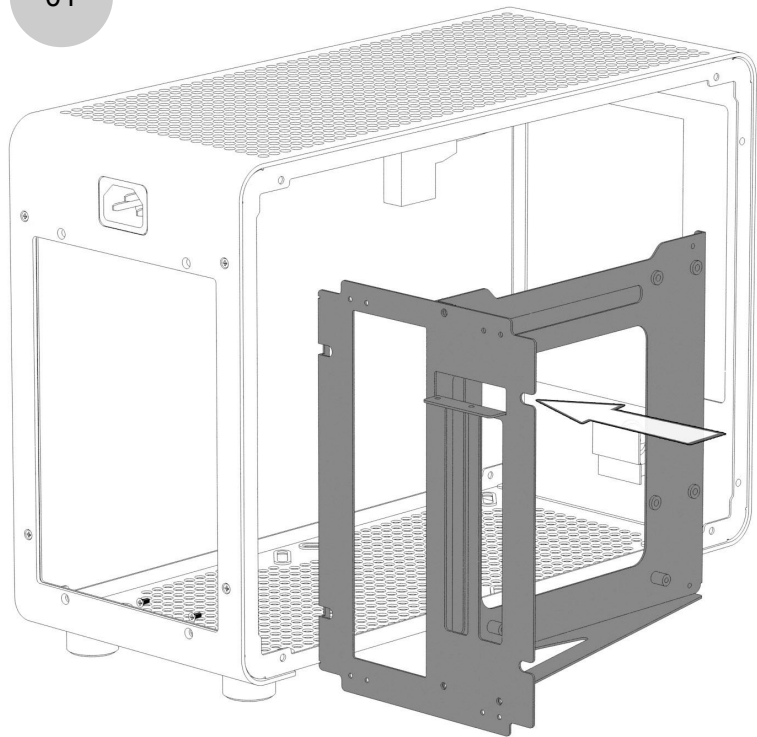
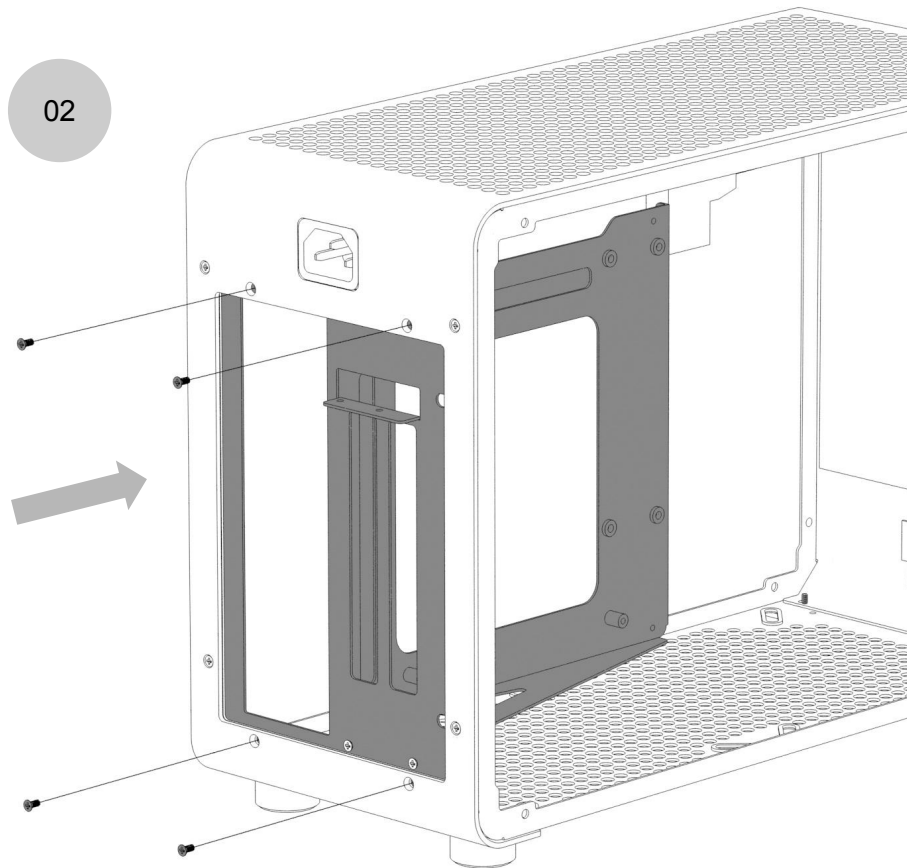


22

Change to Air Cooling Mode

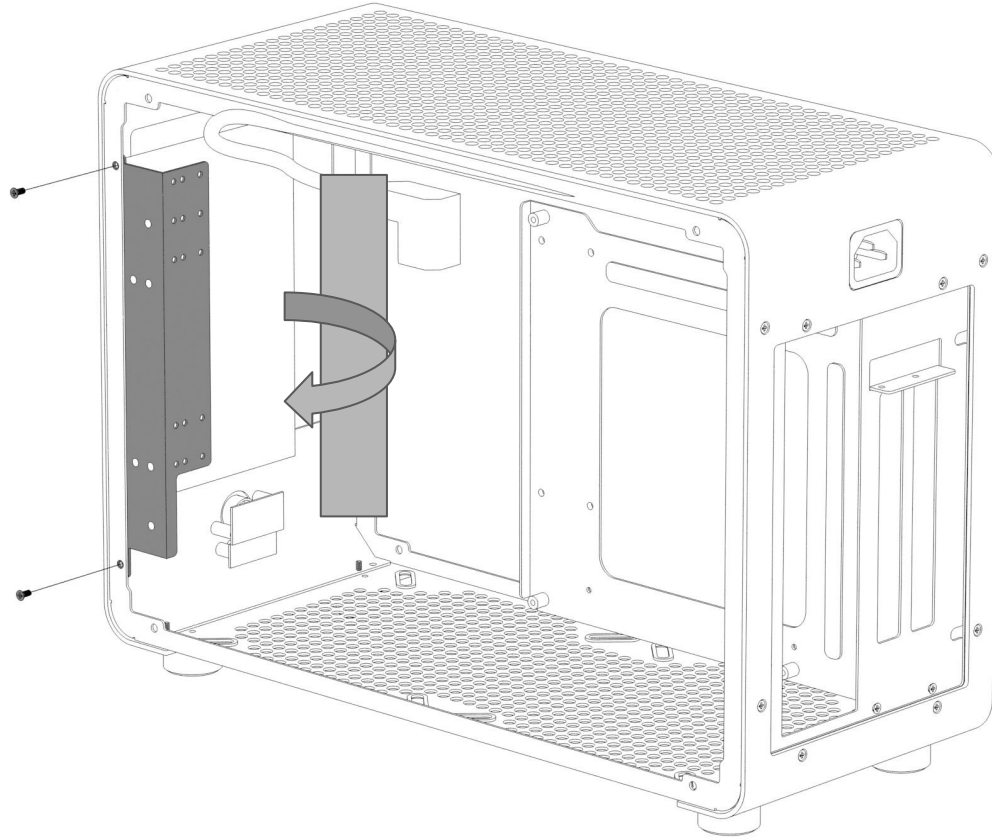
Flipped the motherboard and rear panel bracket, then install the motherboard bracket and rear panel in the case

翻轉後安裝主板支架及後背版

01**02****G1 PRO INSTALLATION GUIDE**

Change to Air Cooling Mode

Flipped the HDD bracket and install it in the case / 翻轉及安裝硬碟支架



Change to Air Cooling Mode

PSU bracket installation / 安裝電源支架

