

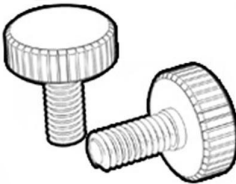


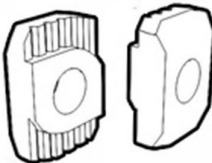
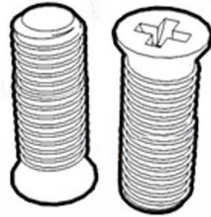
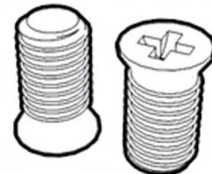
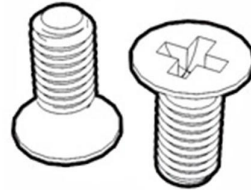
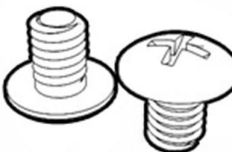
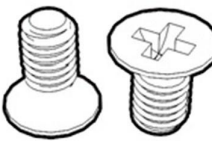


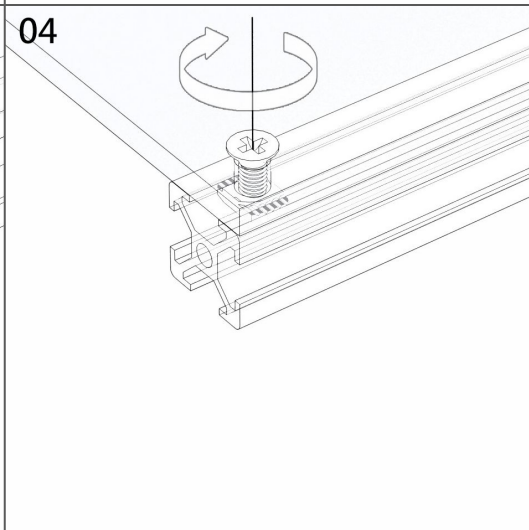
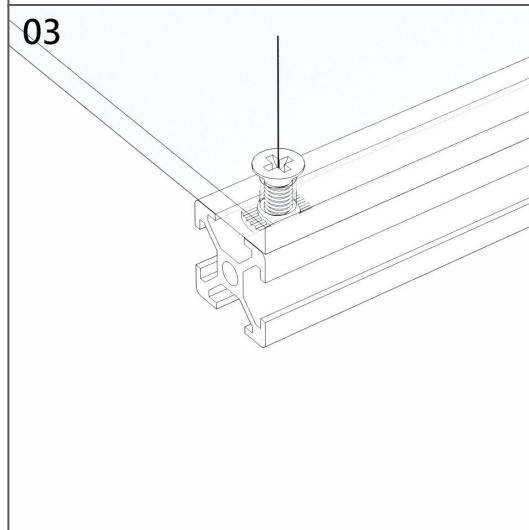
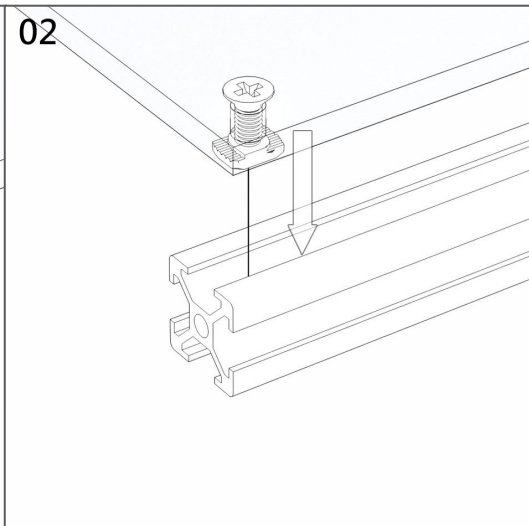
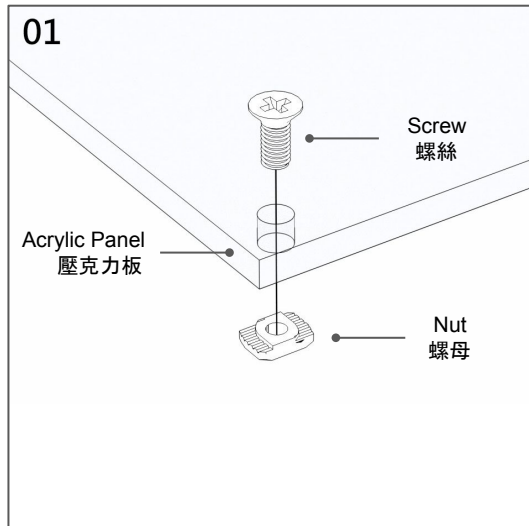
Version 2.X

A50 PLUS INSTALLATION GUIDE

SCREWS LIST 螺絲列表

<p>A1</p>  <p>A2</p>  <p>A1 Plastic Pad 墊片 x6 A2 Standoff 銅柱 x6</p>	<p>B</p>  <p>M4 Thumb Screw M4手擰螺絲</p>	<p>C</p>  <p>Screws for Fan 風扇螺絲</p>	<p>D</p>  <p>Screws for PSU 電源螺絲</p>	<p>E</p>  <p>M3 T type Nut M3螺母</p>
<p>F</p>  <p>M4x14mm</p>	<p>G</p>  <p>M4x8mm</p>	<p>H</p>  <p>M3x8mm</p>	<p>I</p>  <p>M3x5mm</p>	<p>J</p>  <p>M3x5mm</p>

Aluminum Frame Installation 鋁框架安裝說明

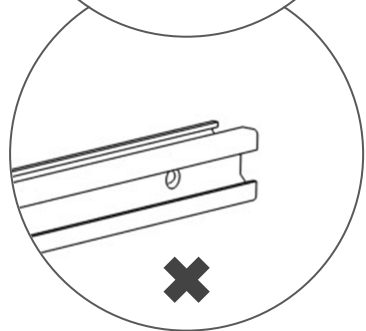
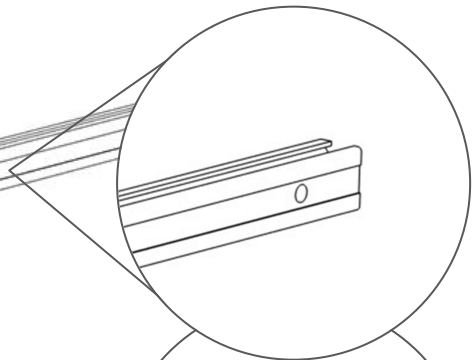
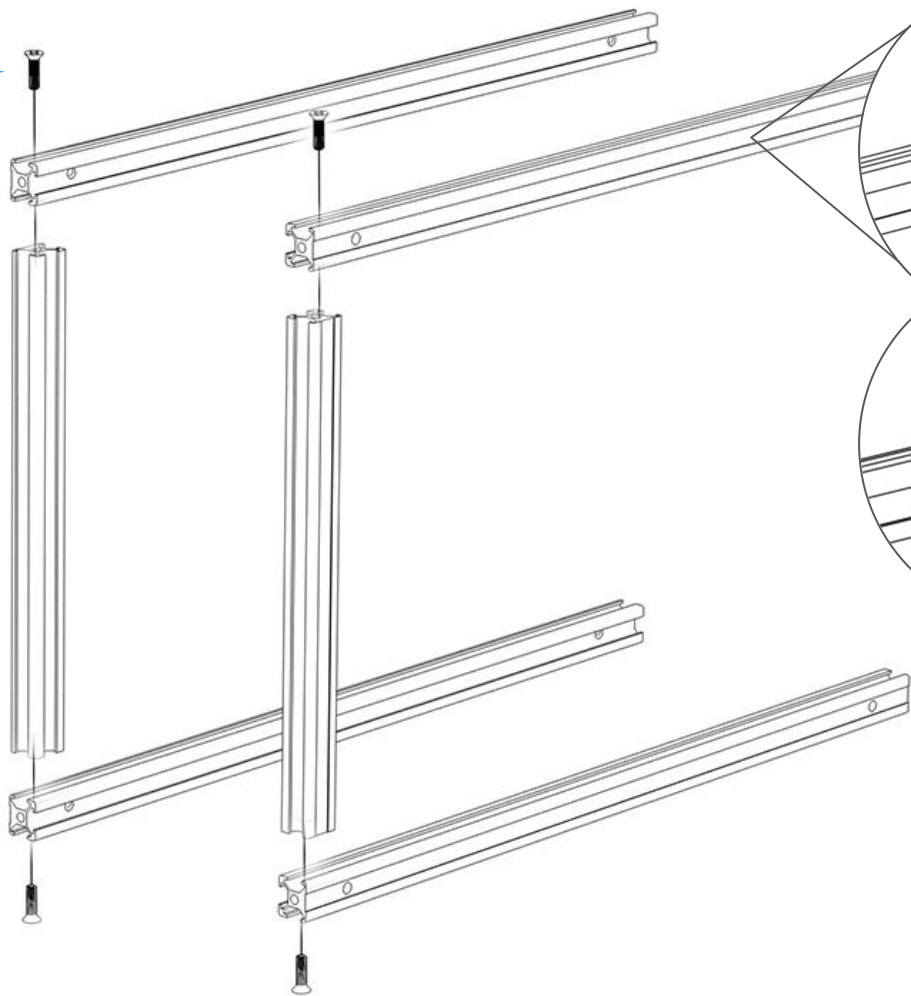
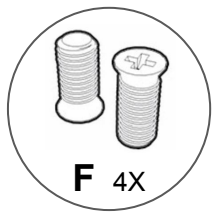


Please read the "Aluminum Frame installation" before assembling this case
安裝前請務必先理解鋁框架如何安裝

STEP 01

Aluminum Frame Installation

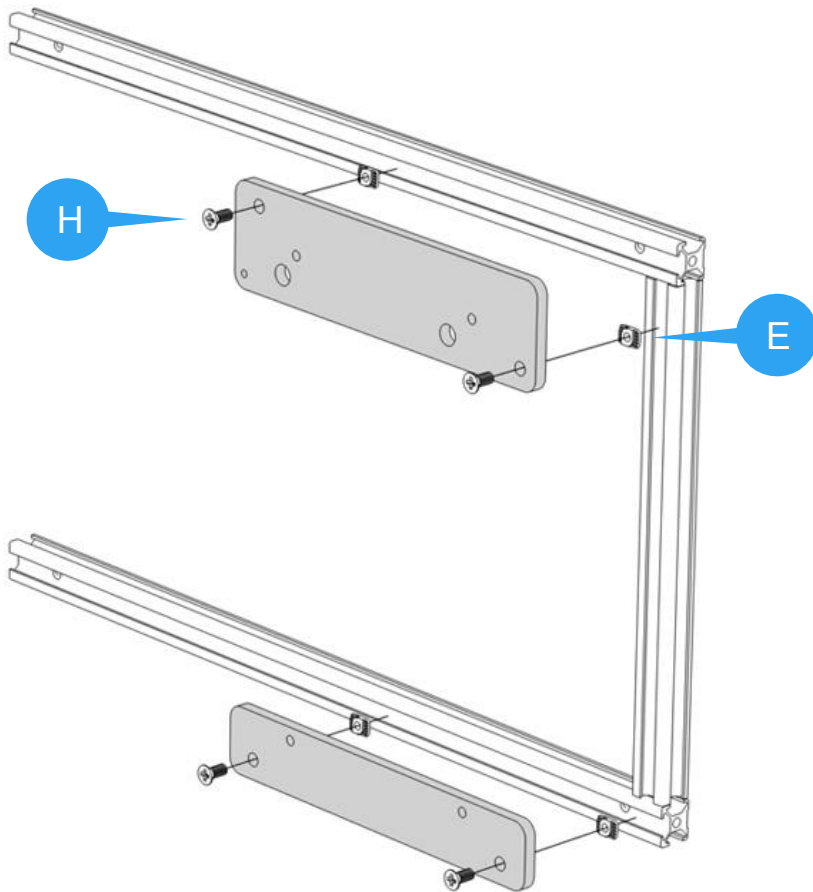
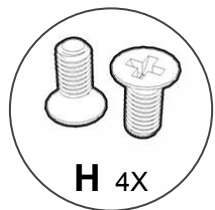
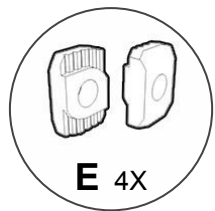
安裝機身鋁框架



STEP 02

HDD Bracket Installation

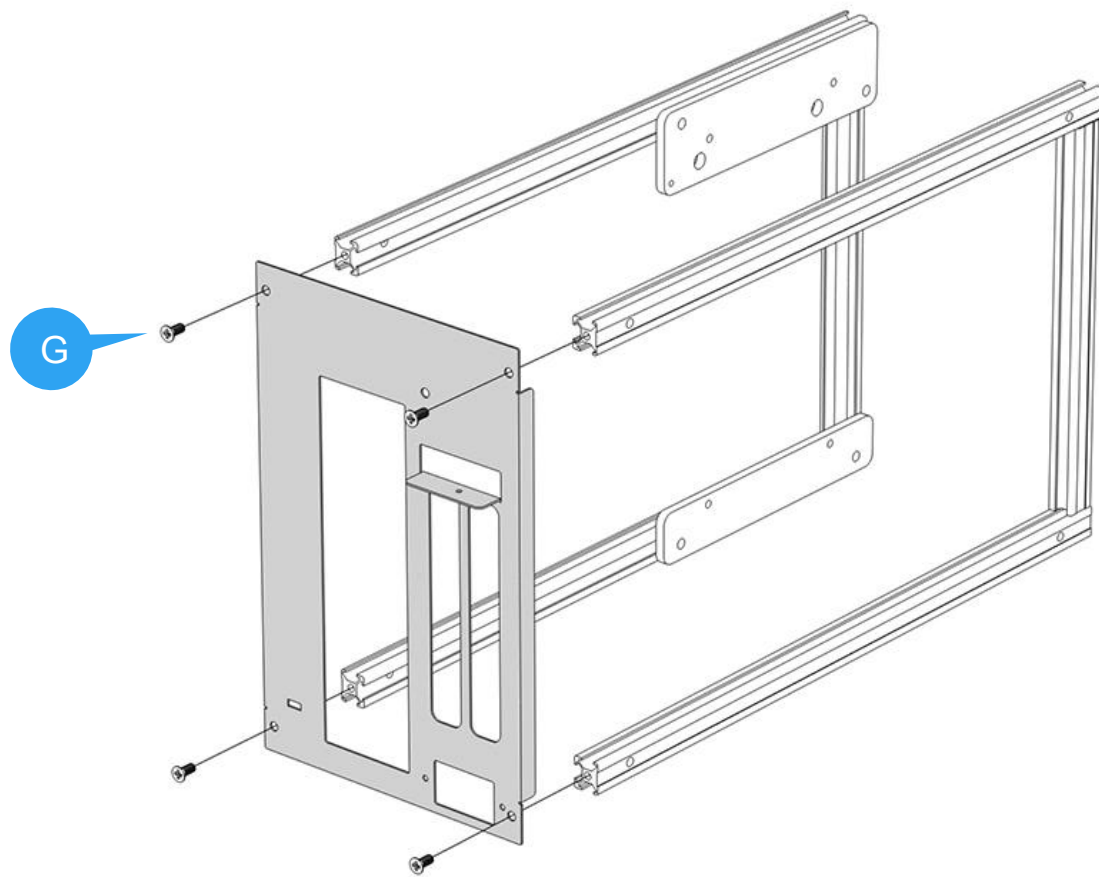
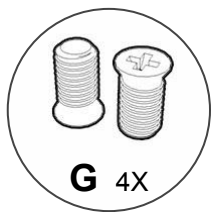
安裝硬碟支架到右側鋁框架



STEP 03

Back Panel Installation

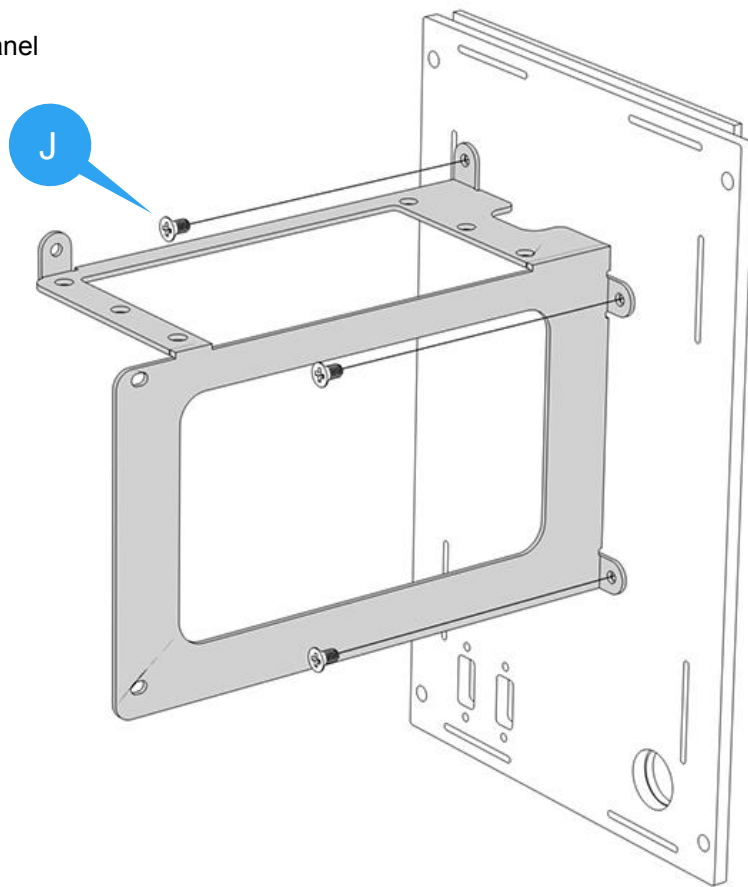
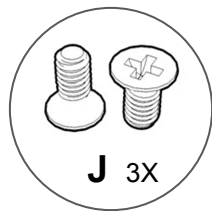
安裝後面板



STEP 04

Install the PSU Metal Bracket on the Front Panel

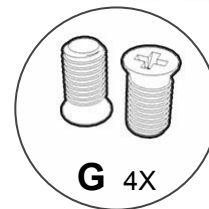
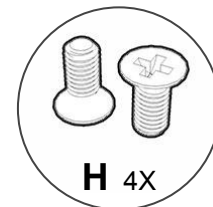
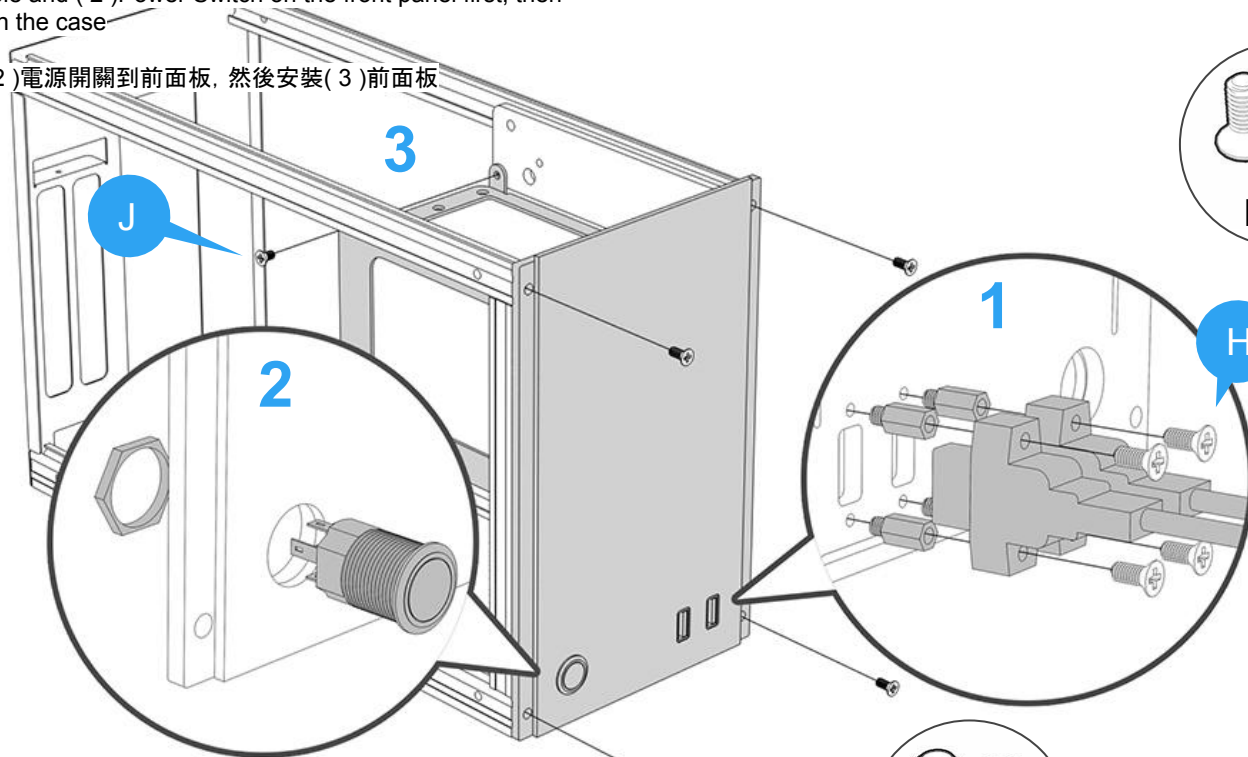
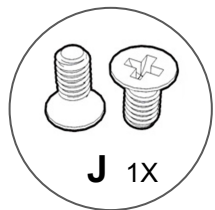
安裝電源鐵支架到前面板



STEP 05

Install the (1) USB 3.0 Cable and (2) Power Switch on the front panel first, then install the (3) front panel on the case

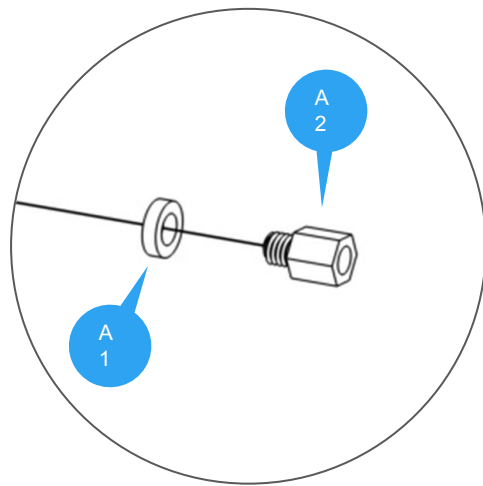
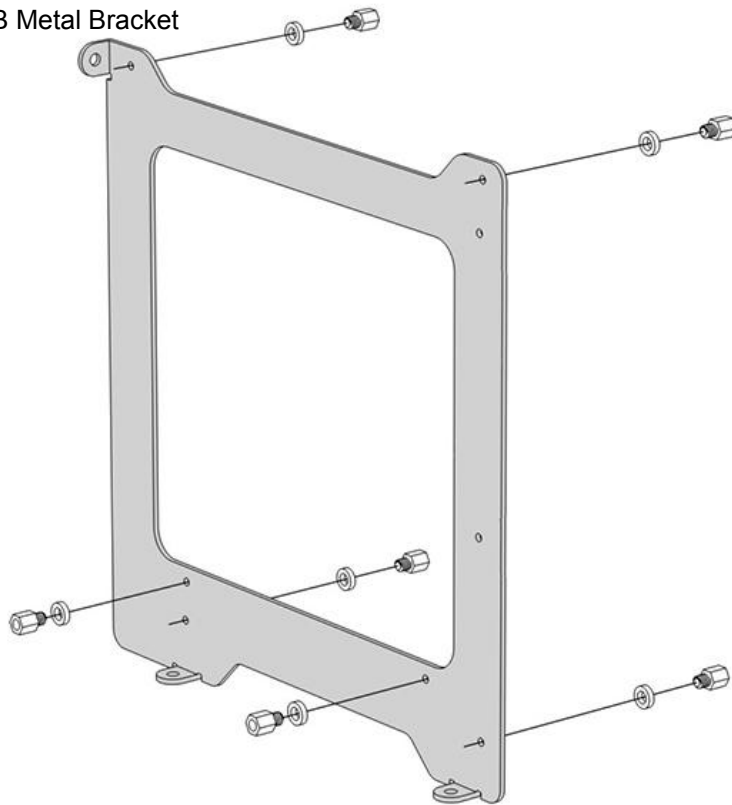
安裝(1)雙USB 3.0線及(2)電源開關到前面板, 然後安裝(3)前面板



STEP 06

Install the Standoff and Plastic Pad on the M/B Metal Bracket

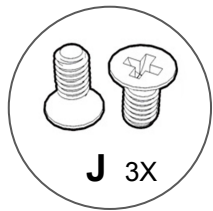
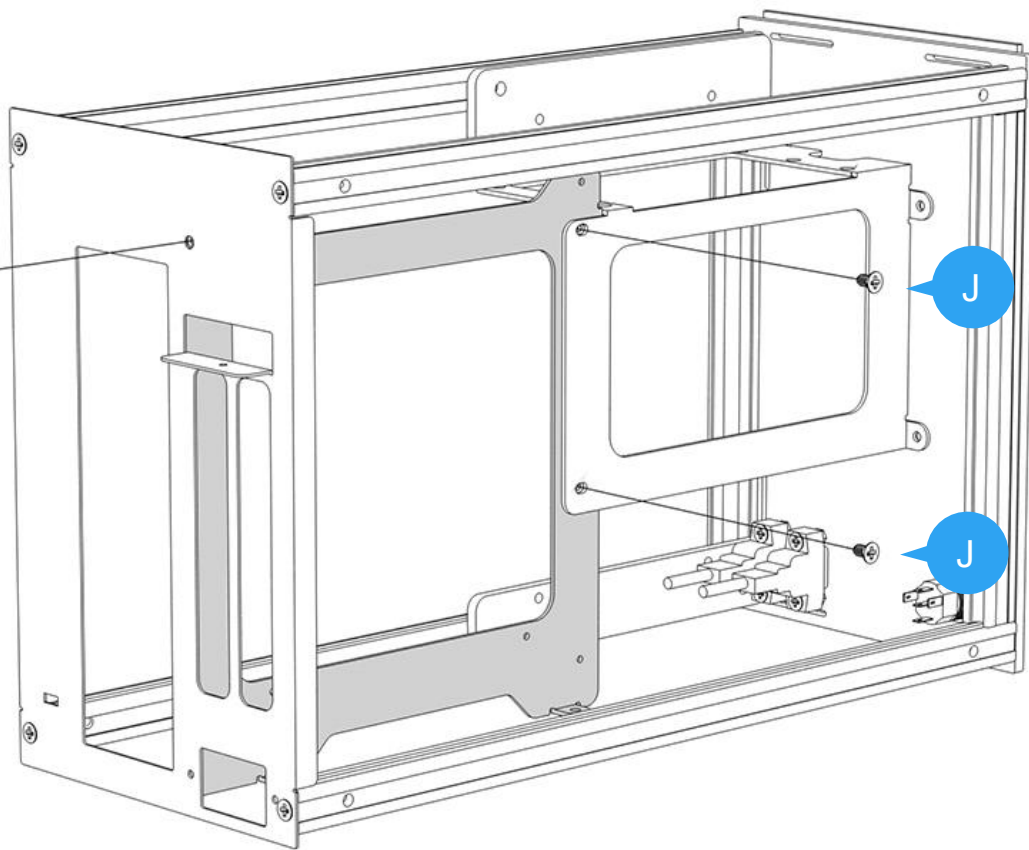
安裝銅柱及墊片到主機板鐵支架



STEP 07

M/B Metal Bracket installation

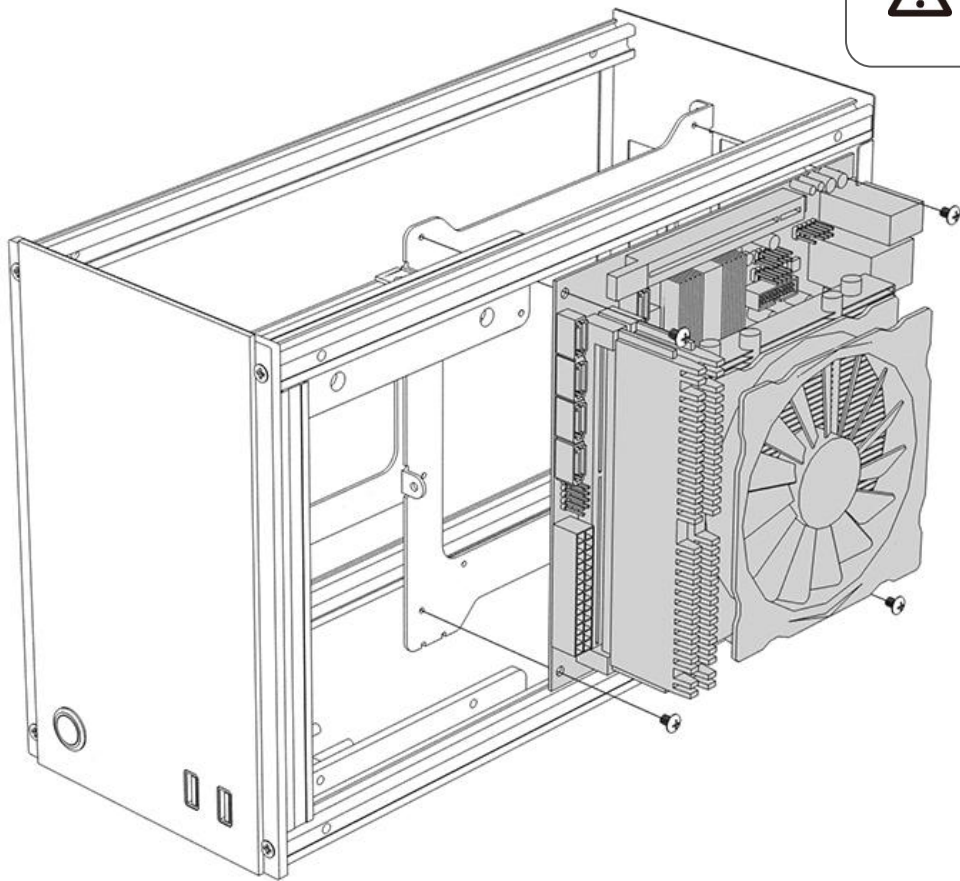
安裝主機板鐵支架



STEP 08

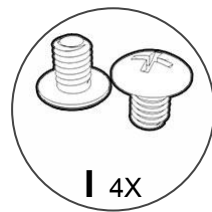
M/B installation

安裝主機板



Highly recommend to install the CPU cooler and ram, power switch connector before installing the motherboard.

請先安裝CPU散熱器及記憶體、電源開關連接線到主機板。

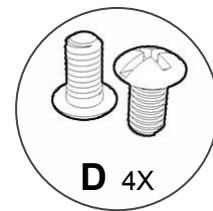
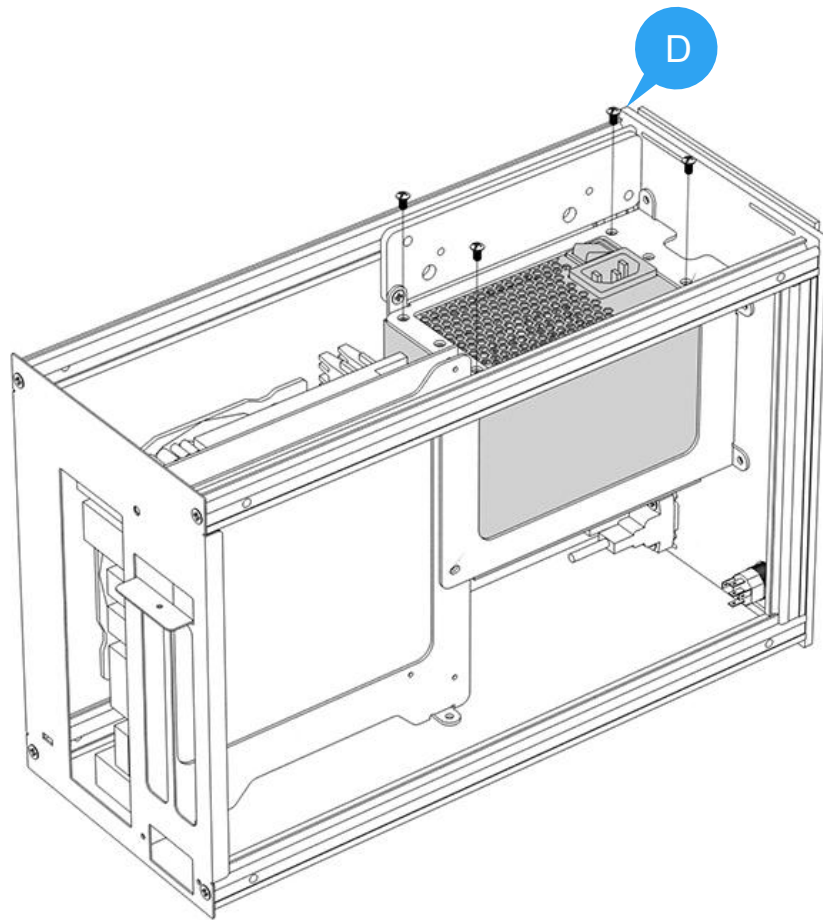


4X

STEP 09

Power Supply Installation

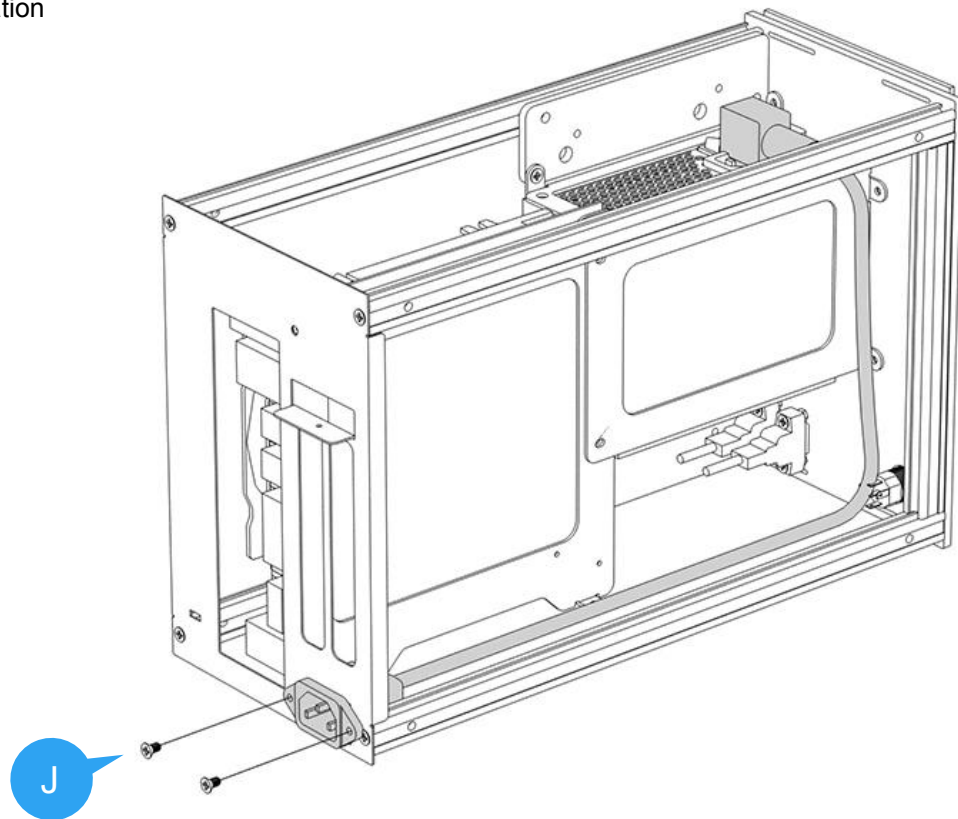
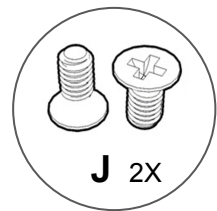
安裝電源供應器



STEP 10

Power Extension Cable Installation

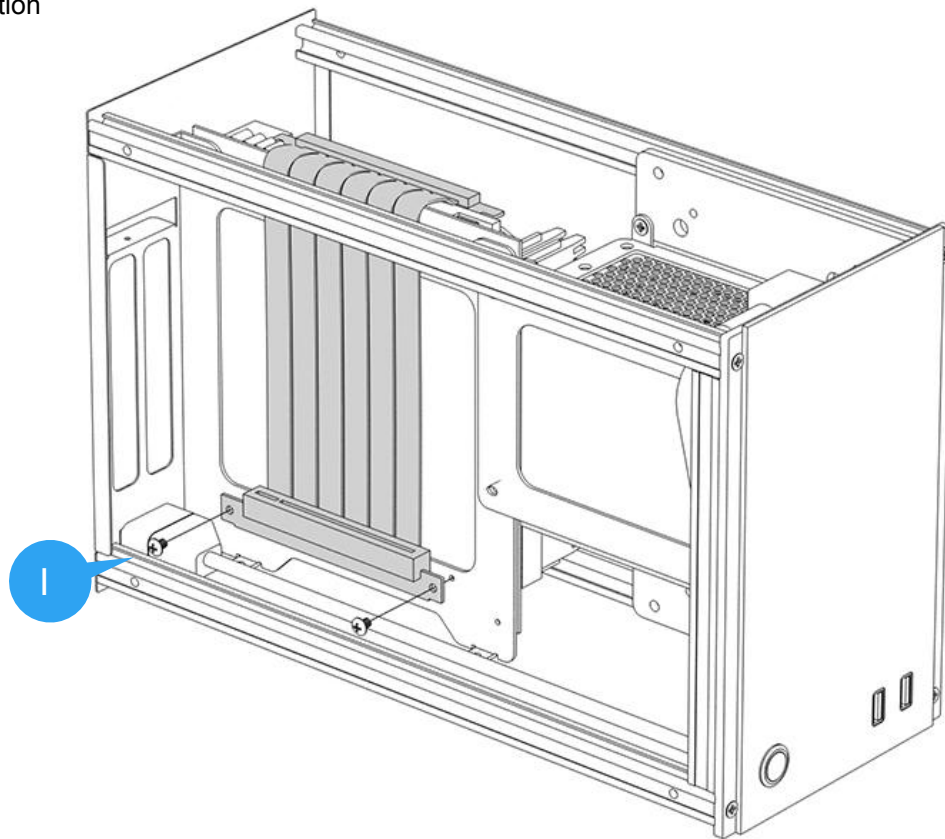
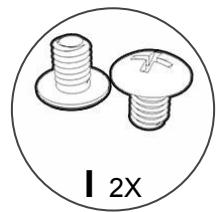
安裝電源延長線



STEP 11

PCIe Riser Extension Cable Installation

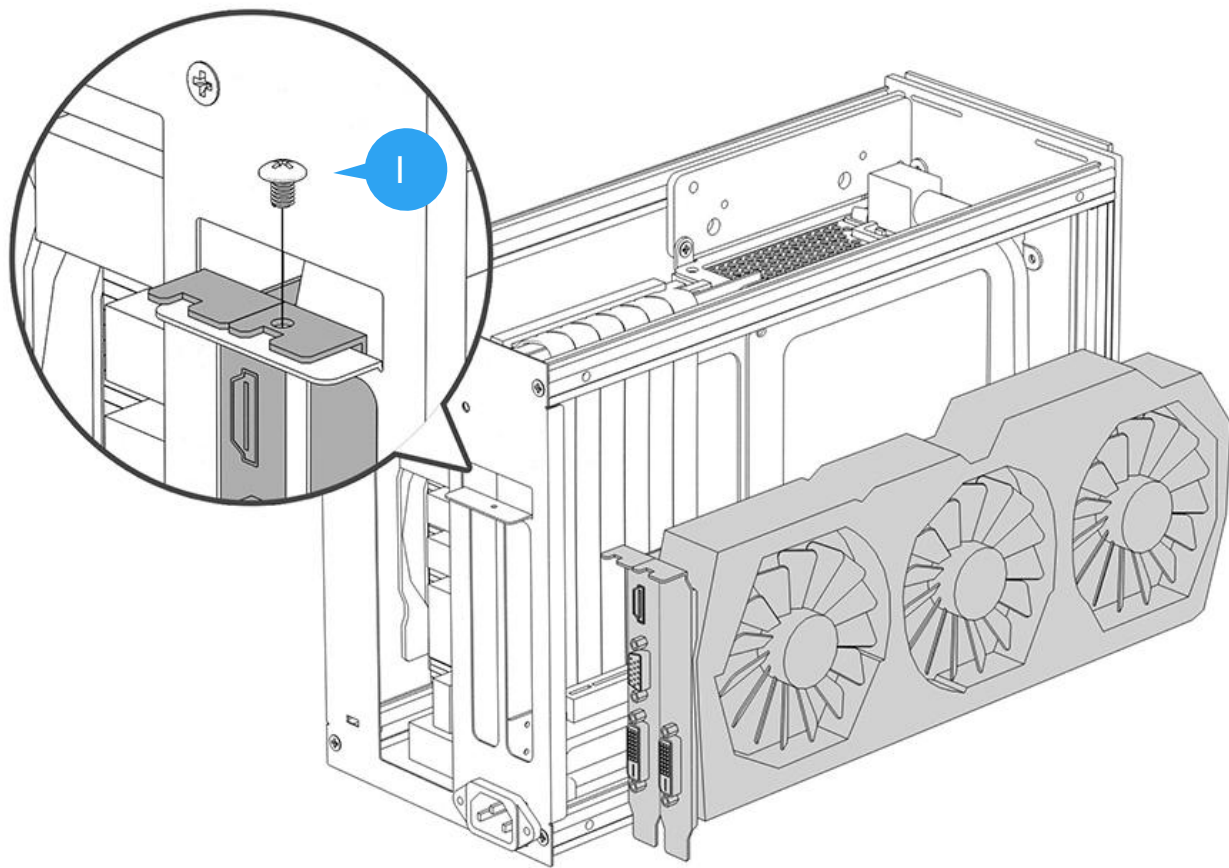
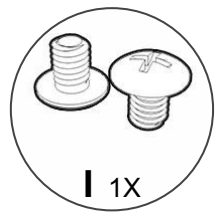
安裝PCI-E延長線



STEP 12

GPU Card Installation

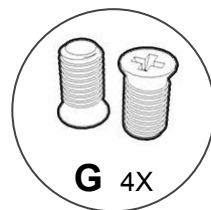
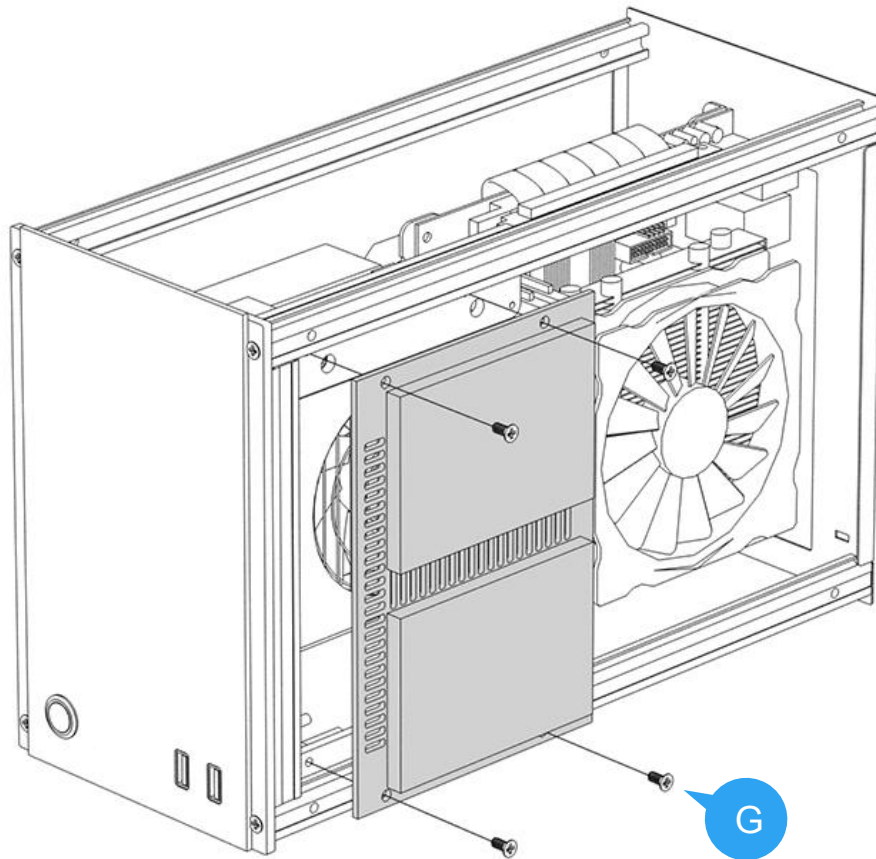
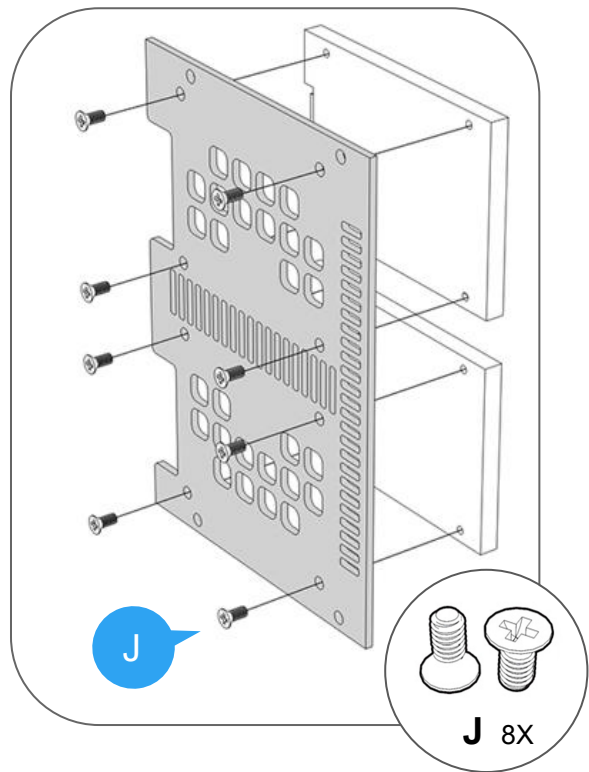
安裝顯示卡



STEP 13

2.5" SSD/HDD Installation

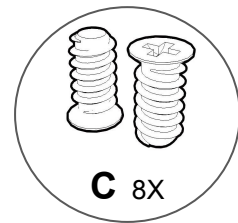
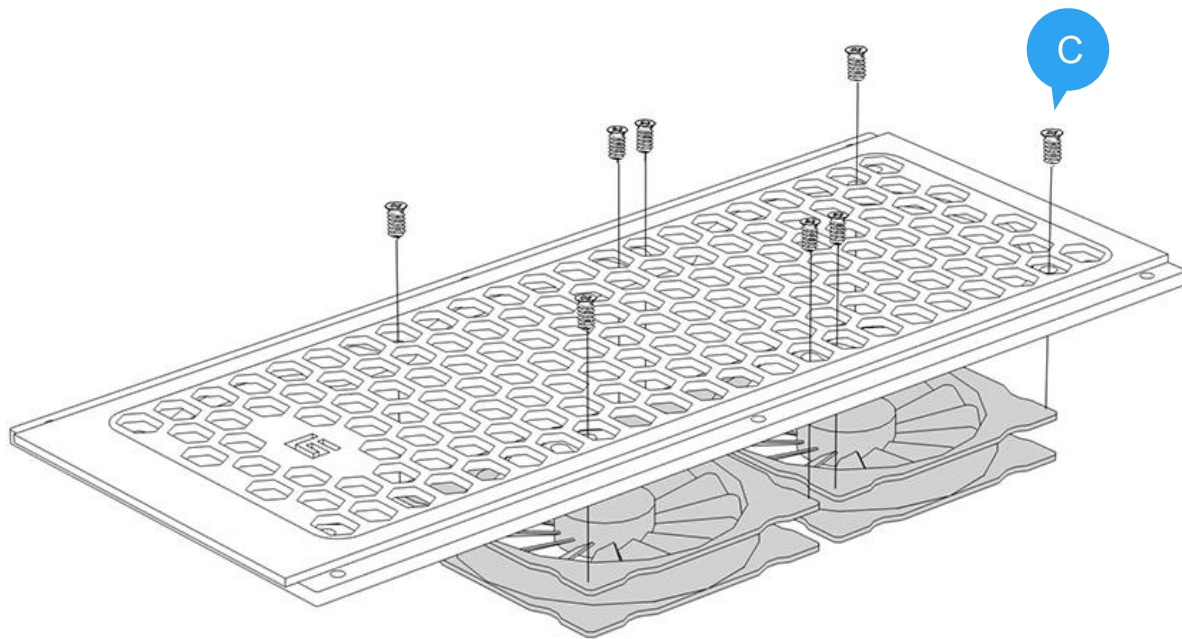
安裝2.5"硬碟



STEP 14

Case Fan Installation on the Top Panel

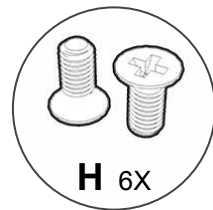
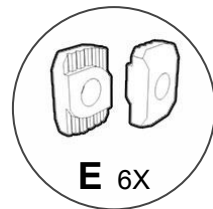
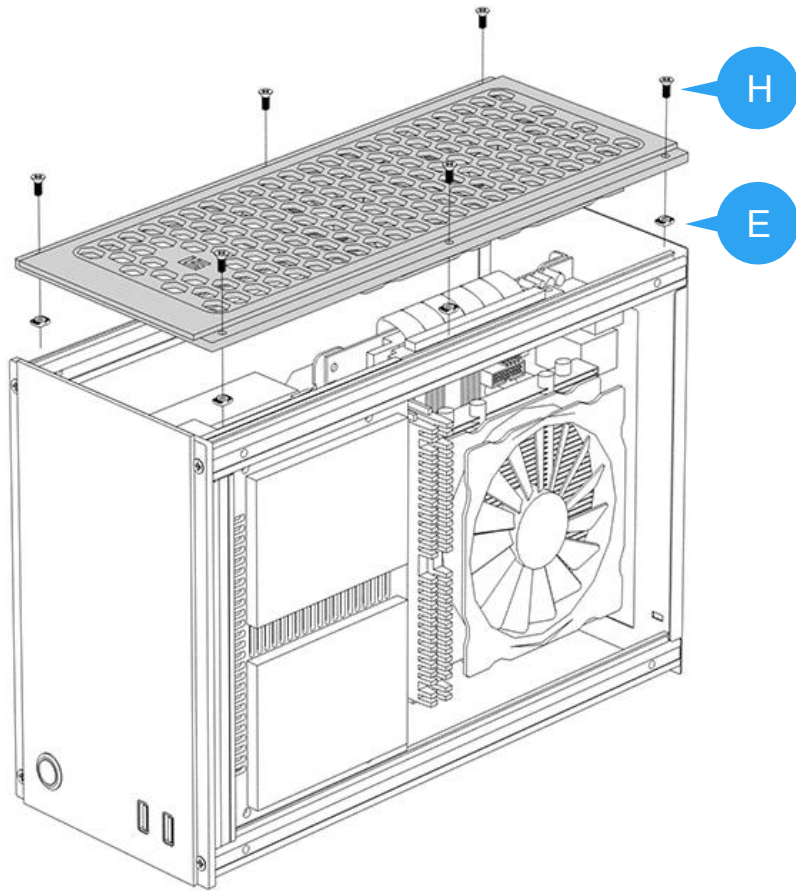
安裝系統風扇到上面板



STEP 15

Top Panel Installation

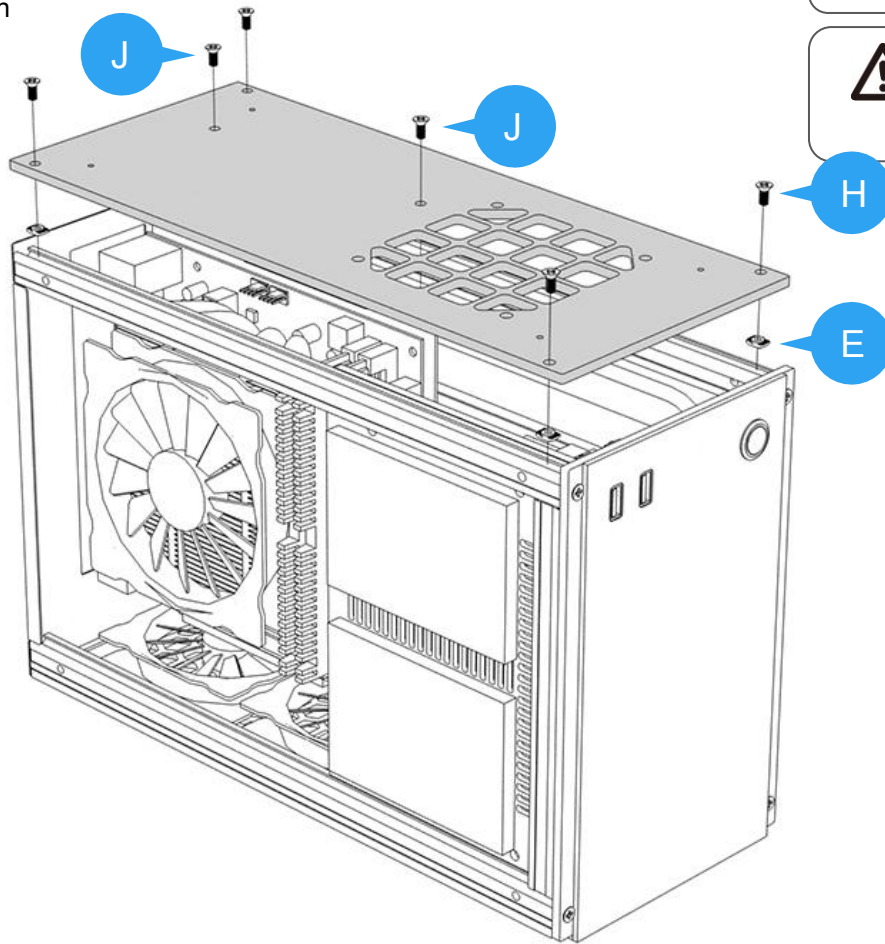
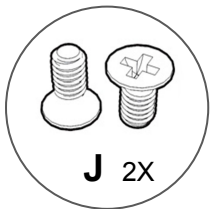
安裝上面板



STEP 16

Case Fan and Bottom Panel Installation

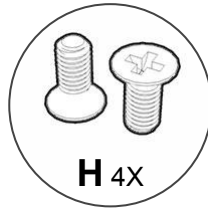
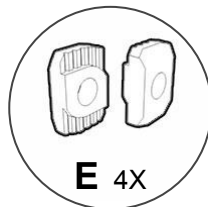
安裝系統風扇(可選)及底蓋



Please complete the cable management before installing the bottom panel.
請先完成所有的整線後再安裝底蓋



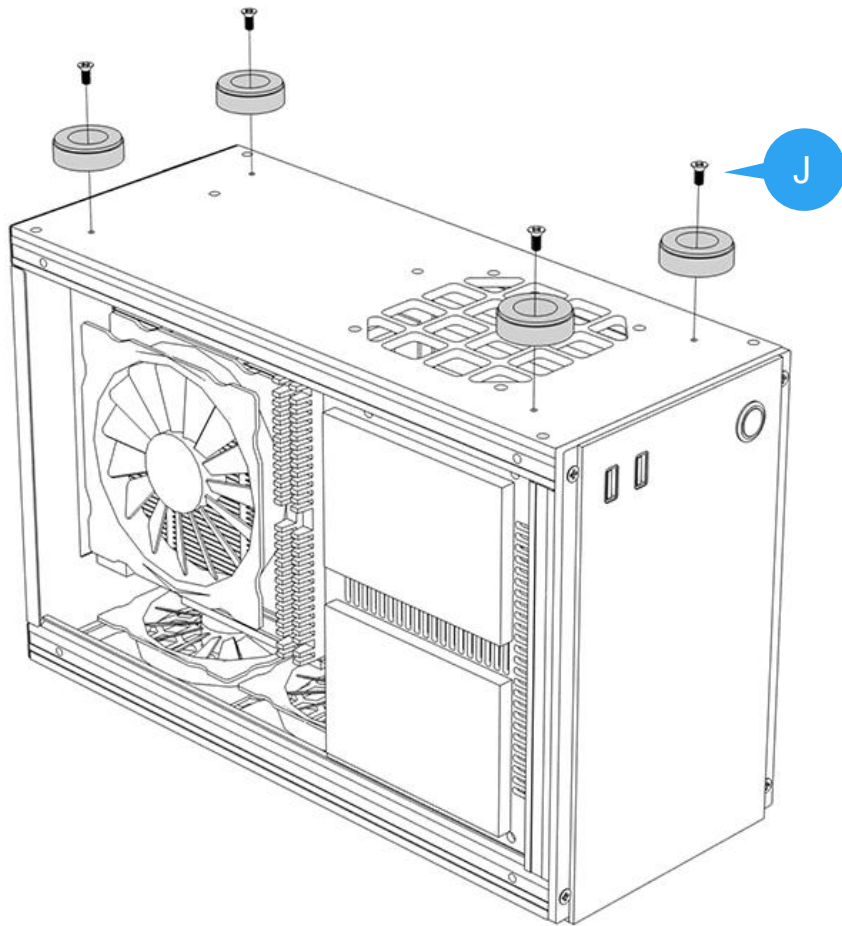
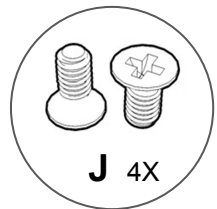
There are two sides for the bottom panel, one side with the countersunk holes needed to be toward to the outside.
底蓋有分正反面，沉孔的那一面朝外。



STEP 17

Footpad Installation on the Bottom Panel

安裝機殼腳墊到底蓋



STEP 18

Side Panel Installation

安裝側板



Place the case in horizontal, then install the side panel

請將機殼平躺後再安裝側板

